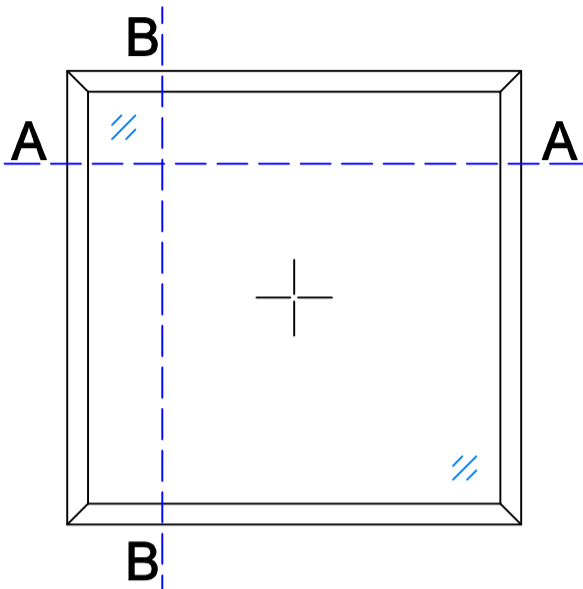


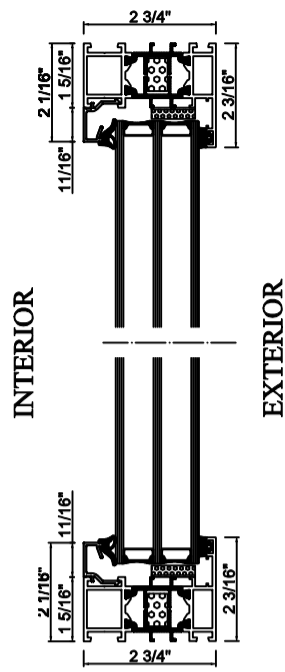
OUTSIDE VIEW



Windows type: *FIX*

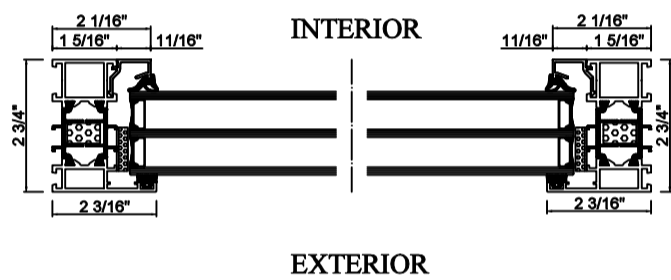
Vertical cross section B-B

Scale 1:4

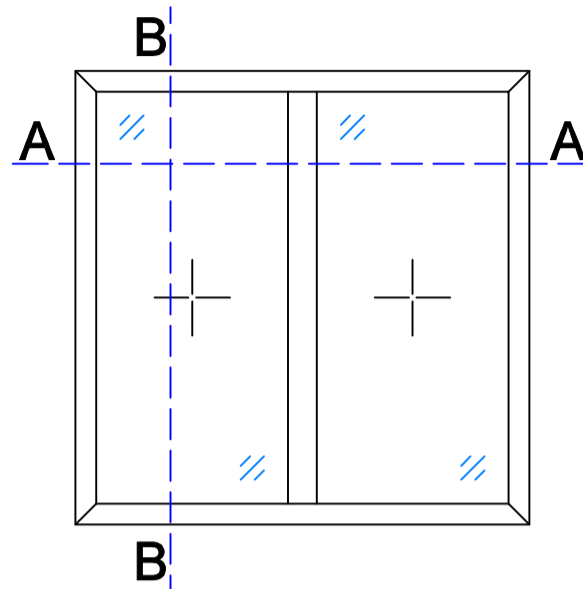


Horizontal cross section A-A

Scale 1:4



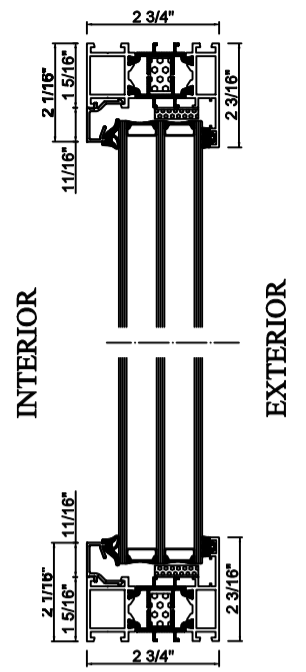
OUTSIDE VIEW



Windows type: *FIX*

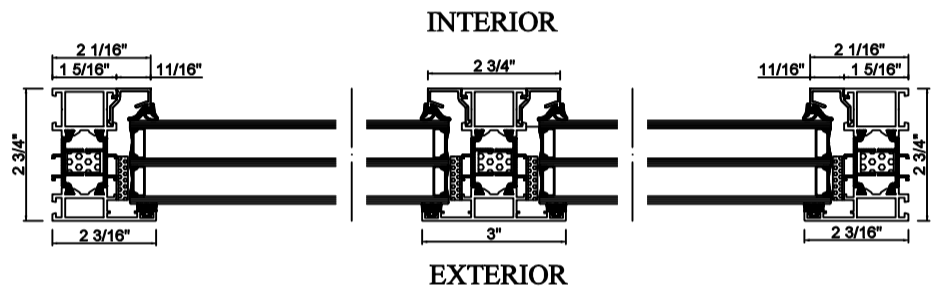
Vertical cross section B-B

Scale 1:4

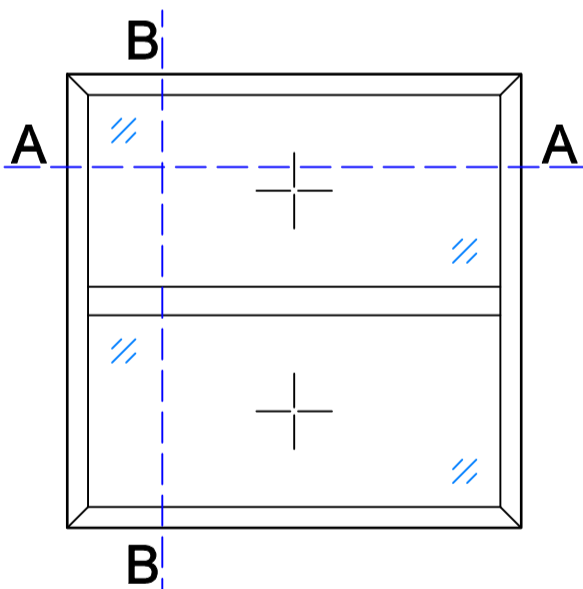


Horizontal cross section A-A

Scale 1:4



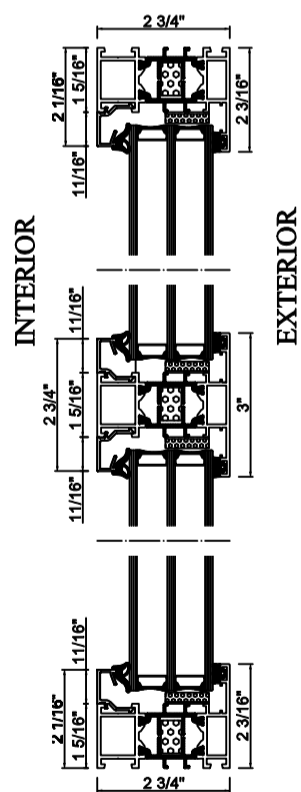
OUTSIDE VIEW



Windows type: *FIX*

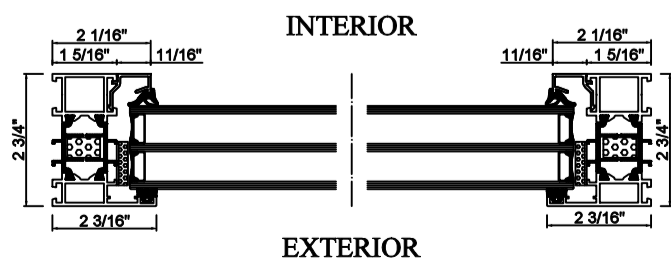
Vertical cross section B-B

Scale 1:4

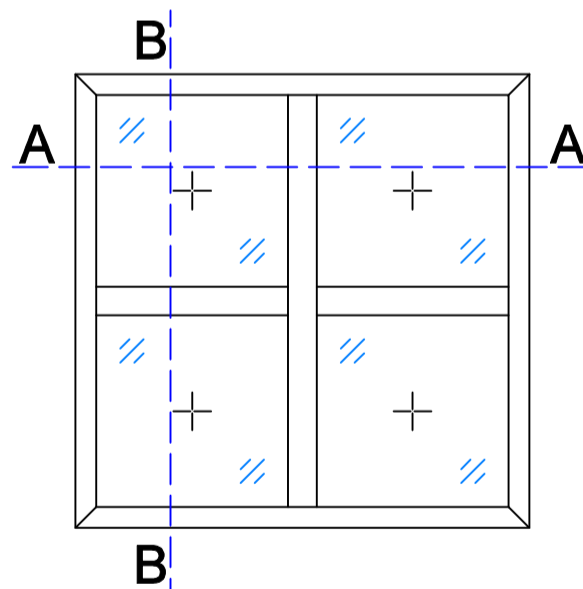


Horizontal cross section A-A

Scale 1:4



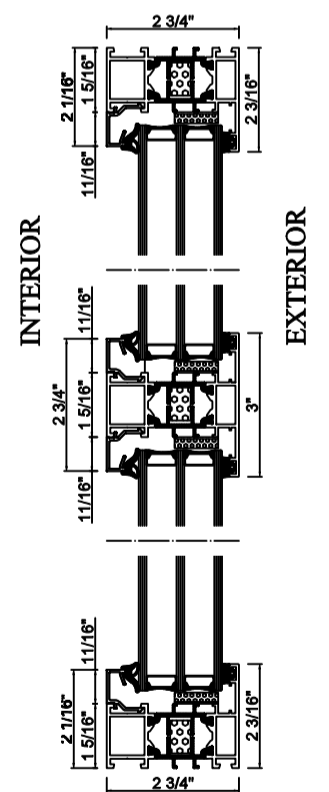
OUTSIDE VIEW



Windows type: *FIX*

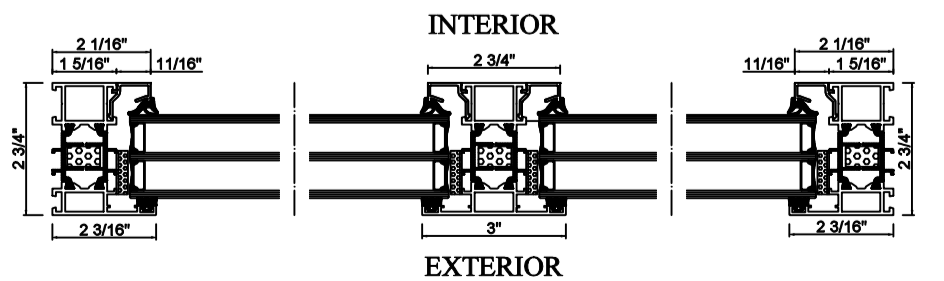
Vertical cross section B-B

Scale 1:4

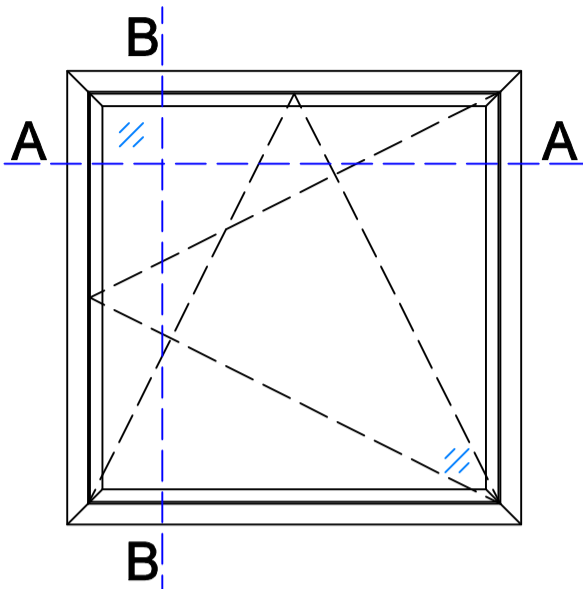


Horizontal cross section A-A

Scale 1:4

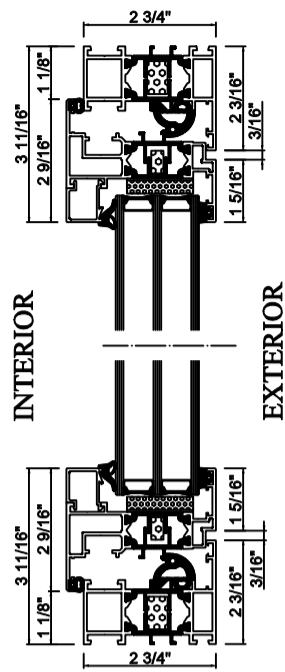


OUTSIDE VIEW



Vertical cross section B-B

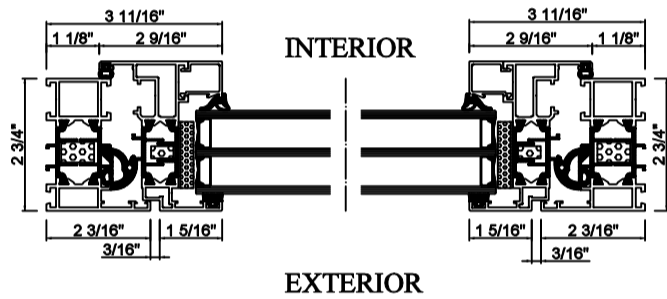
Scale 1:4



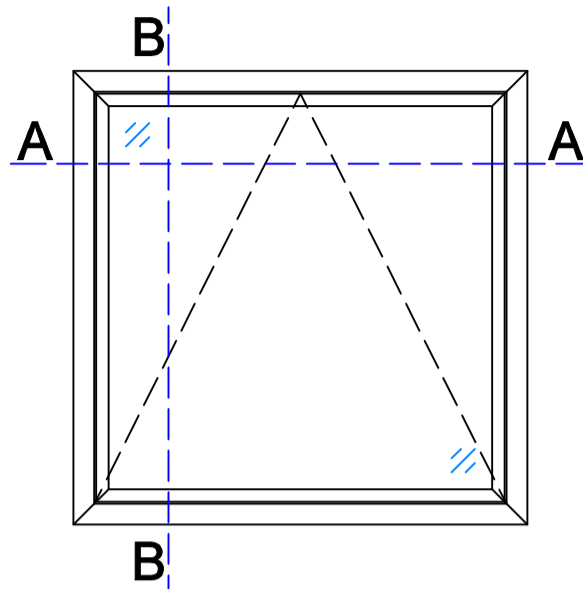
Windows type: *Tilt&Turn*

Horizontal cross section A-A

Scale 1:4

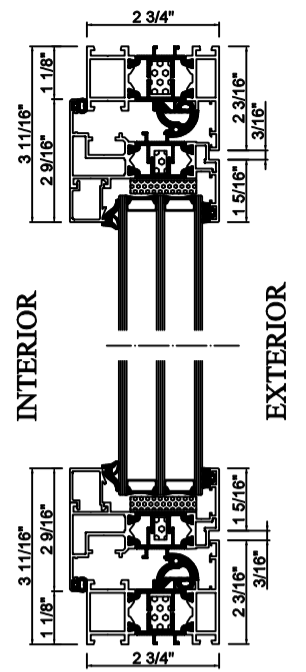


OUTSIDE VIEW



Vertical cross section B-B

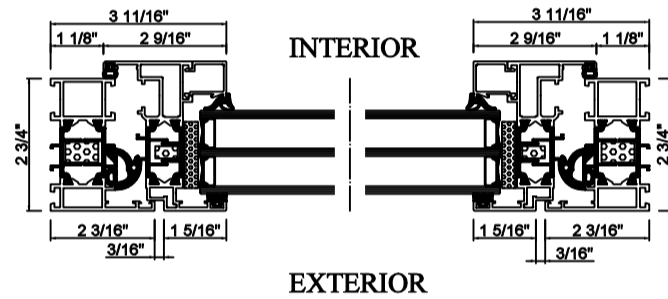
Scale 1:4



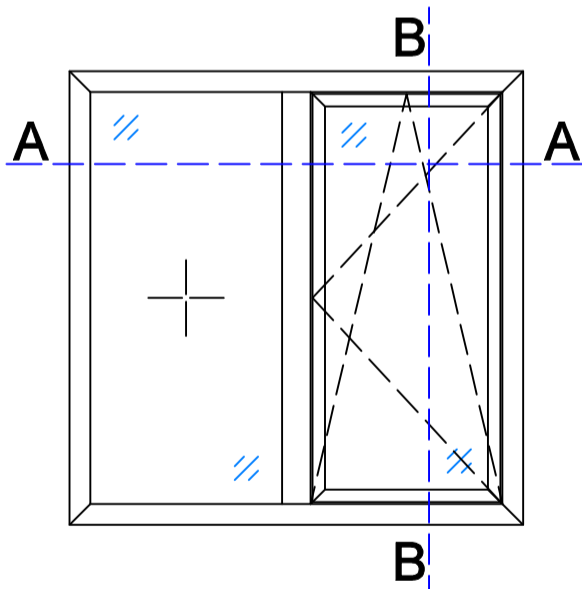
Windows type: *Tilt*

Horizontal cross section A-A

Scale 1:4

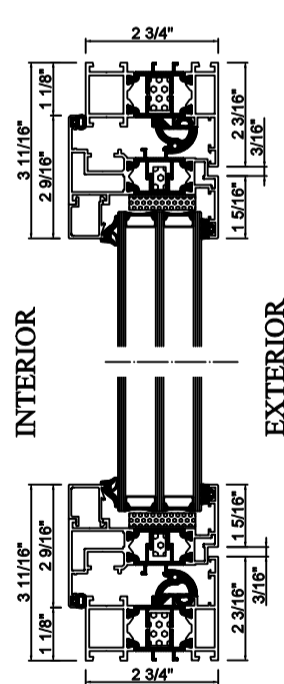


OUTSIDE VIEW



Vertical cross section B-B

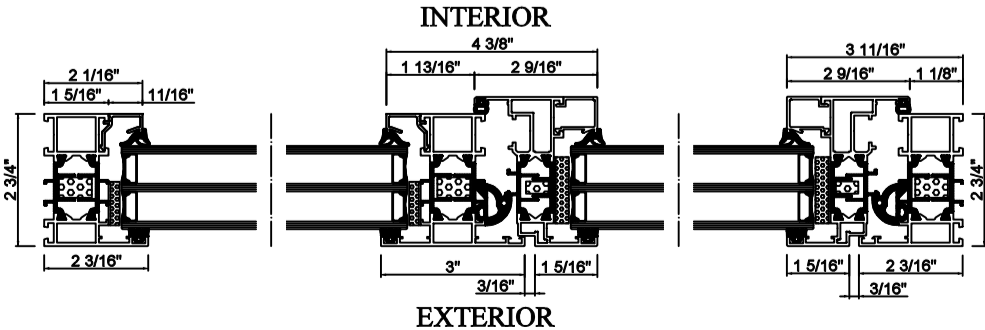
Scale 1:4



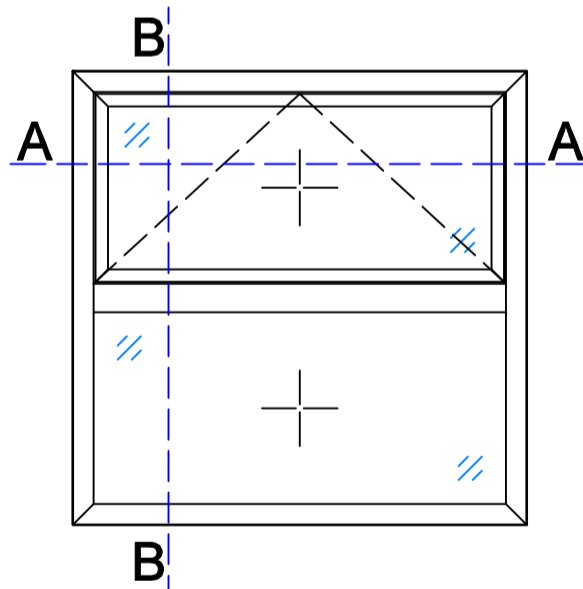
Windows type: *FIX + Tilt&Turn*

Horizontal cross section A-A

Scale 1:4

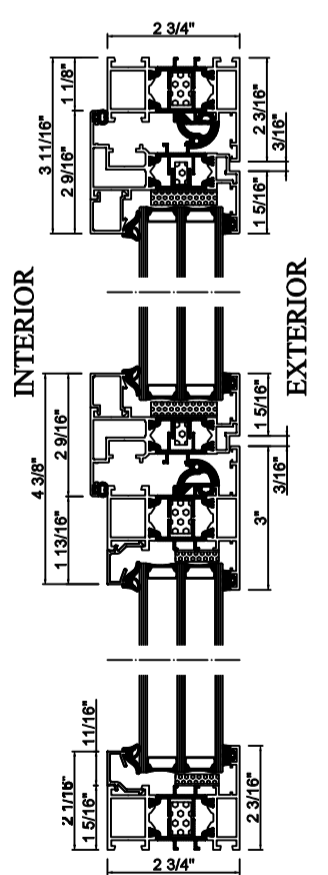


OUTSIDE VIEW



Vertical cross section B-B

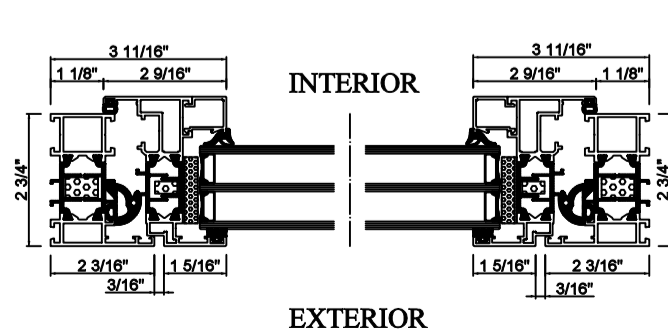
Scale 1:4



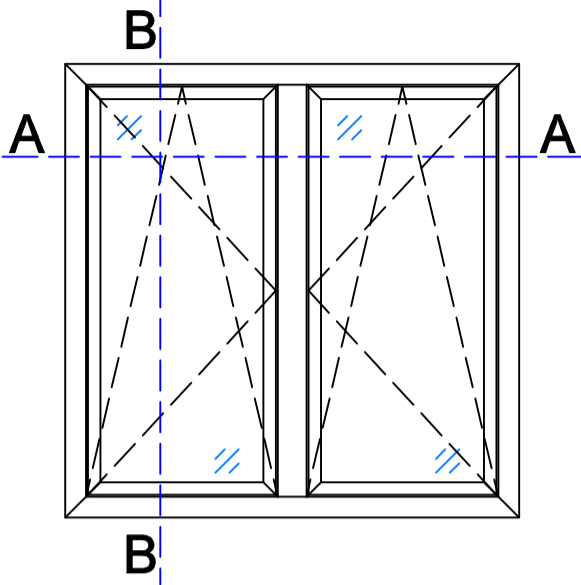
Windows type: *FIX + Tilt*

Horizontal cross section A-A

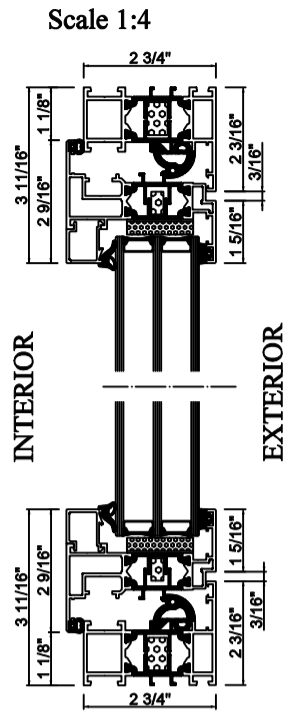
Scale 1:4



OUTSIDE VIEW

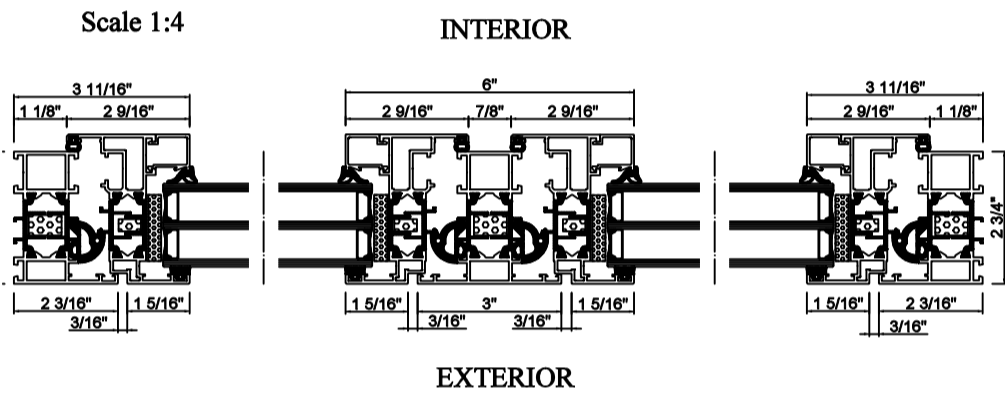


Vertical cross section B-B

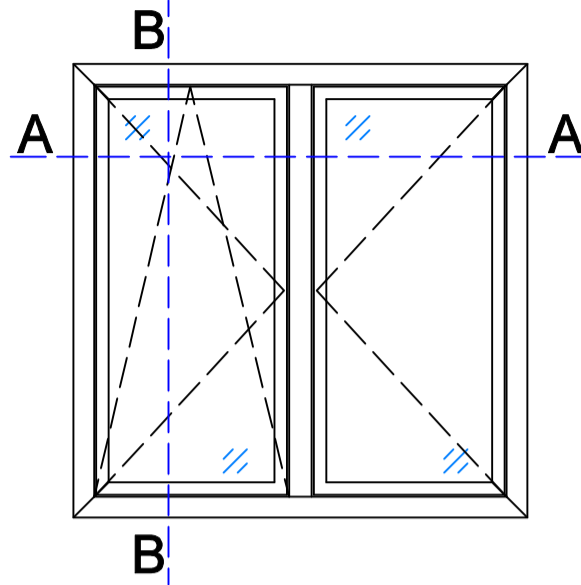


Windows type: *Tilt&Turn*

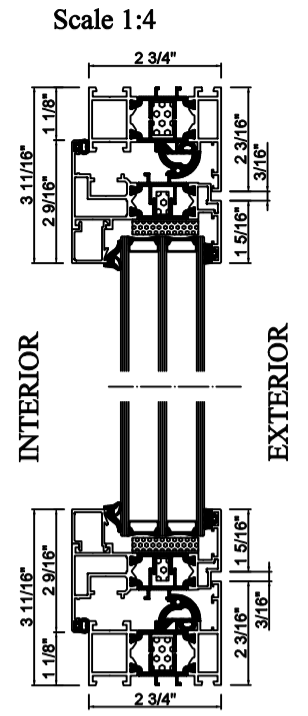
Horizontal cross section A-A



OUTSIDE VIEW

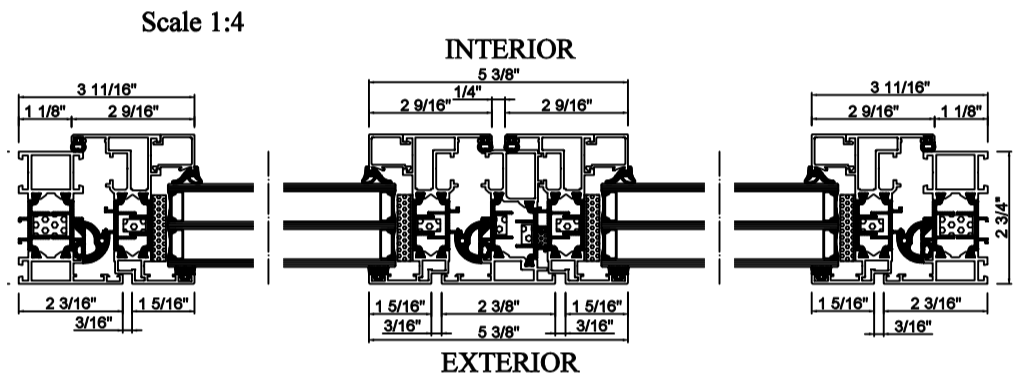


Vertical cross section B-B

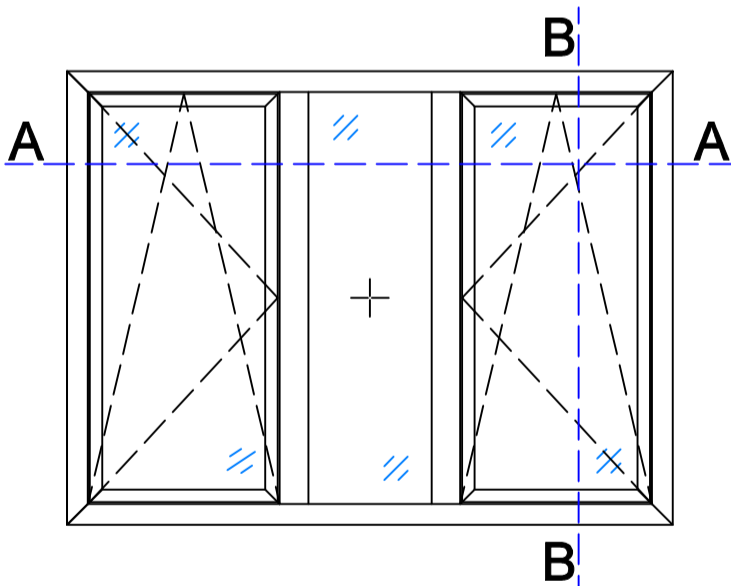


Windows type: *Tilt&Turn + Turn*

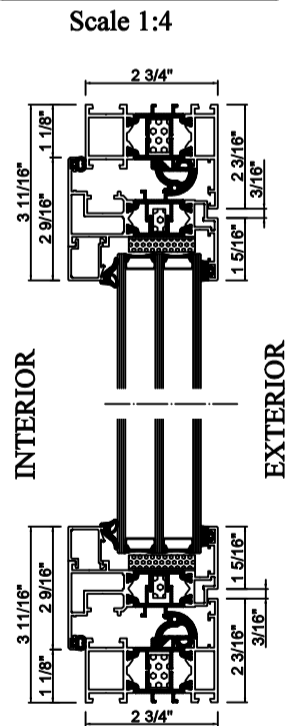
Horizontal cross section A-A



OUTSIDE VIEW

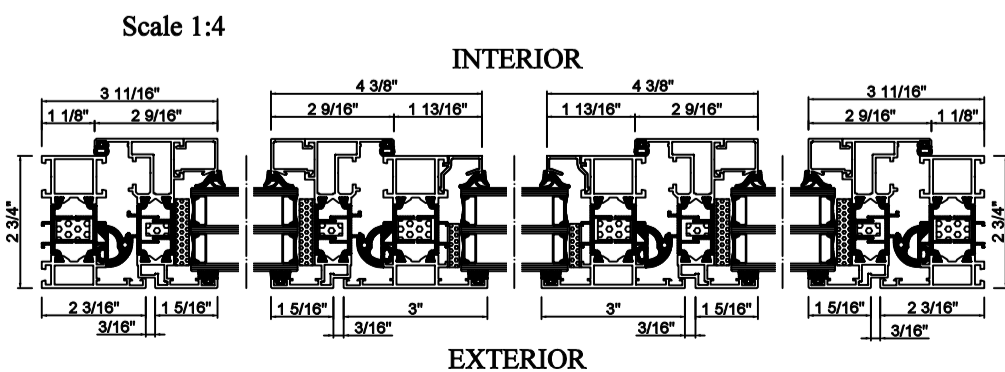


Vertical cross section B-B

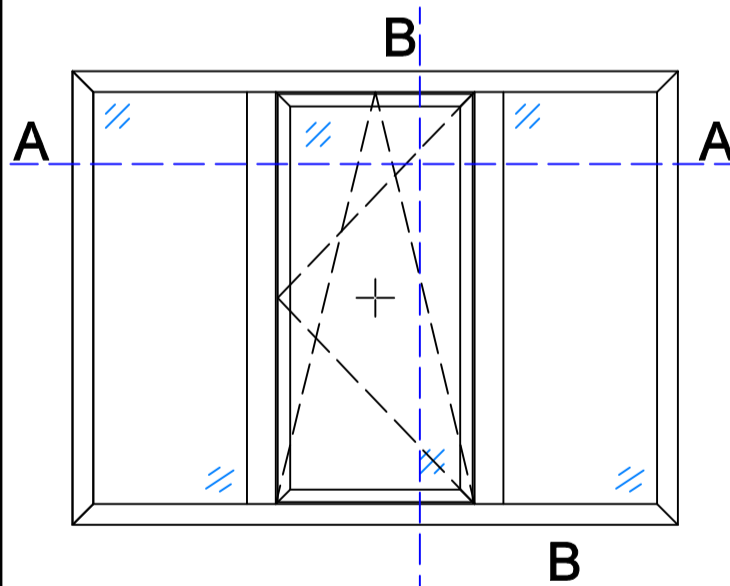


Windows type: *FIX + Tilt&Turn*

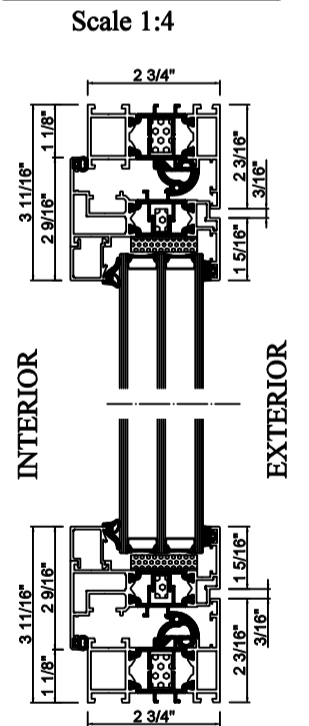
Horizontal cross section A-A



OUTSIDE VIEW



Vertical cross section B-B



Windows type: *FIX + Tilt&Turn*

Horizontal cross section A-A

