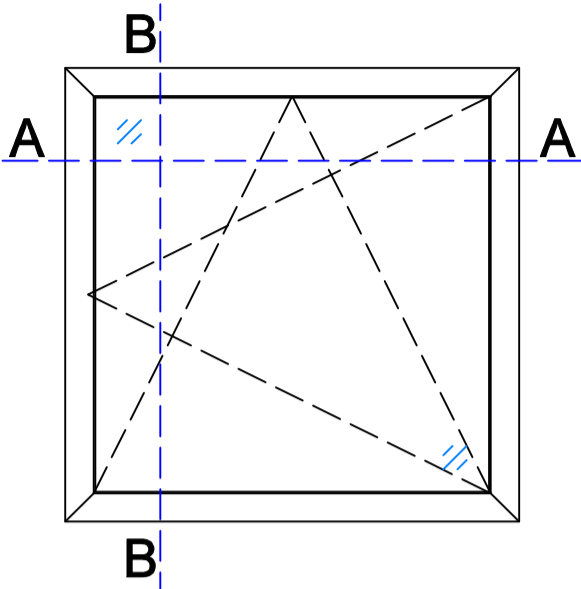
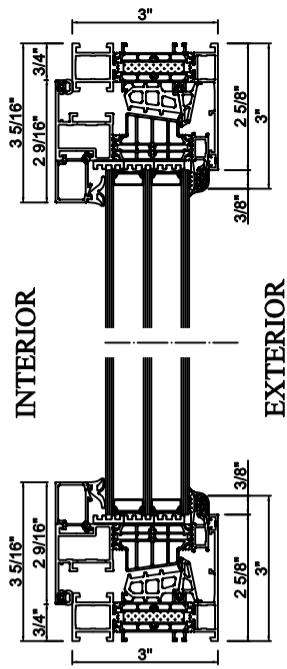


OUTSIDE VIEW



Vertical cross section B-B

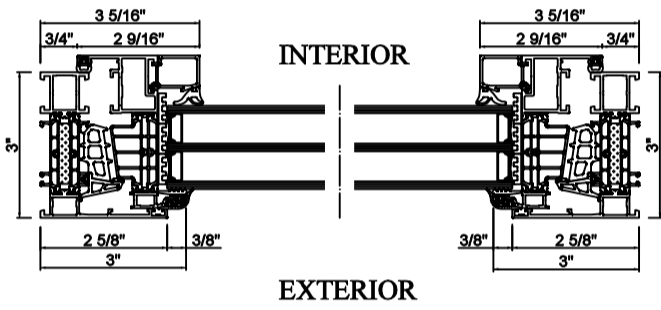
Scale 1:4



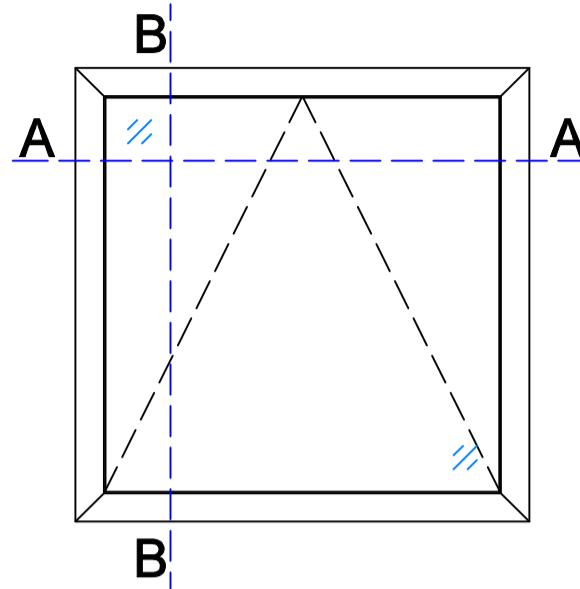
Windows type: *Tilt&Turn*

Horizontal cross section A-A

Scale 1:4

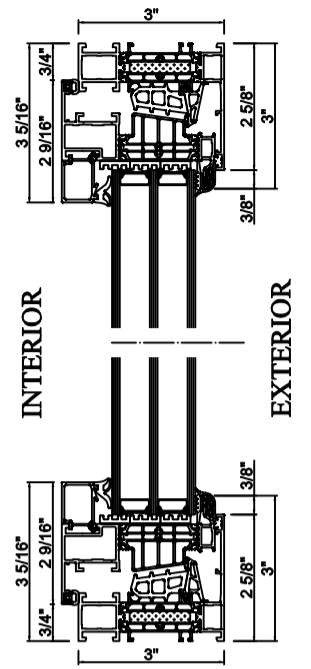


OUTSIDE VIEW



Vertical cross section B-B

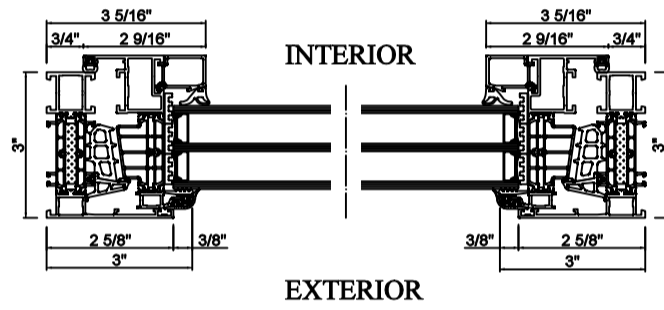
Scale 1:4



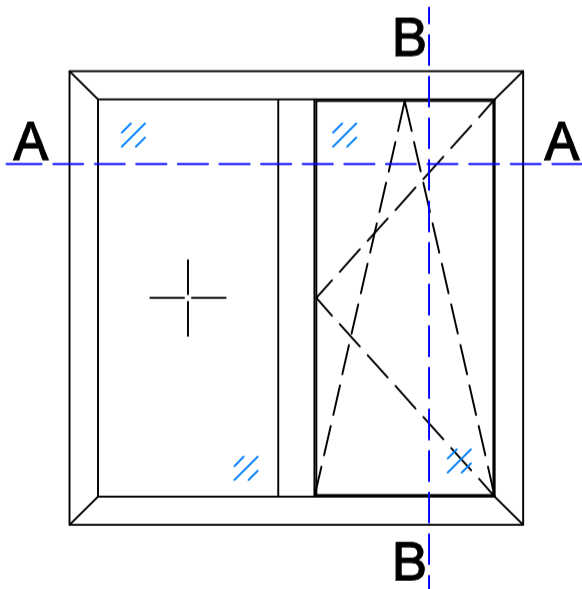
Windows type: *Tilt*

Horizontal cross section A-A

Scale 1:4

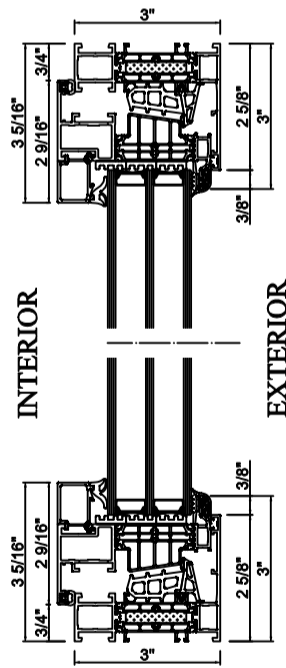


OUTSIDE VIEW



Vertical cross section B-B

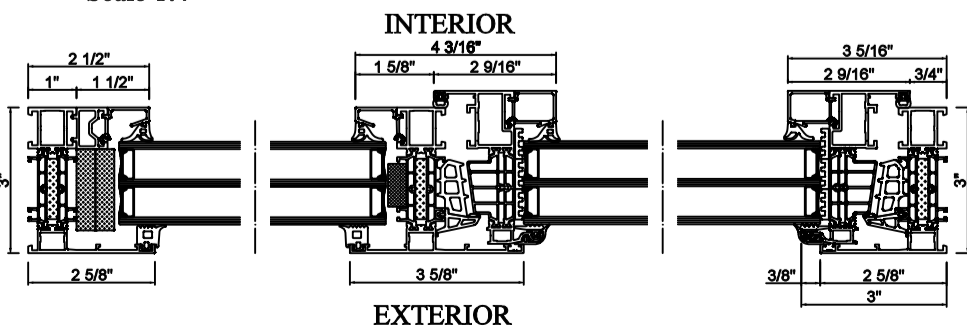
Scale 1:4



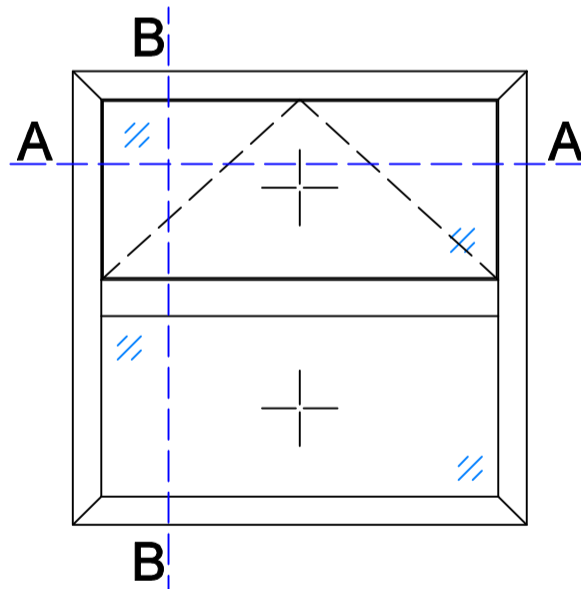
Windows type: *FIX + Tilt&Turn*

Horizontal cross section A-A

Scale 1:4

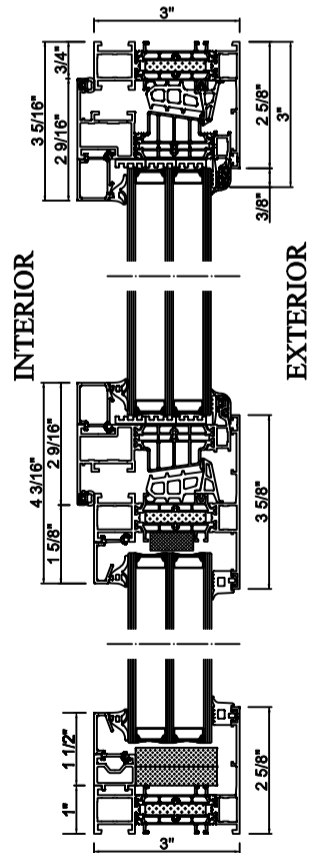


OUTSIDE VIEW



Vertical cross section B-B

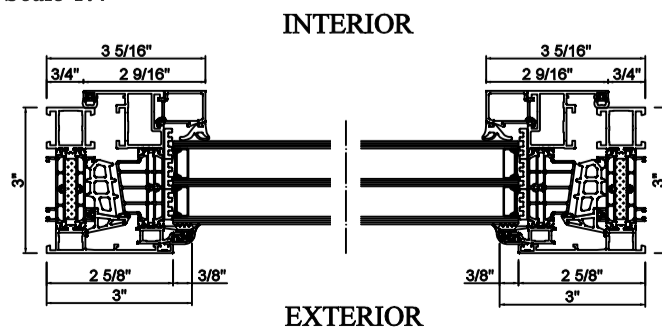
Scale 1:4



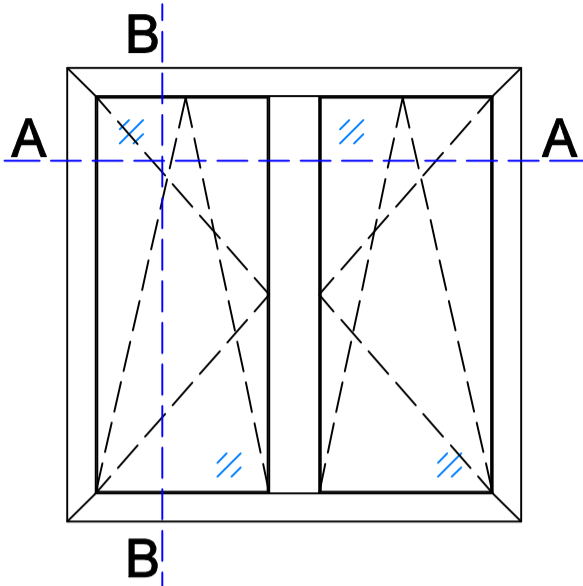
Windows type: *FIX + Tilt*

Horizontal cross section A-A

Scale 1:4

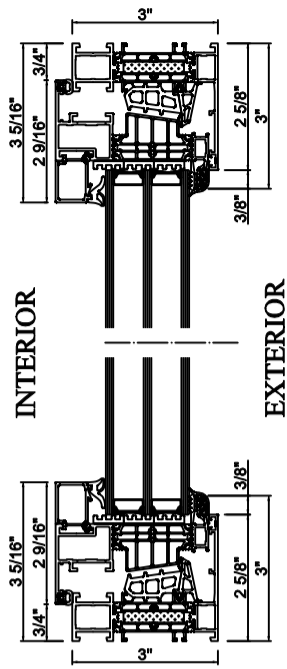


OUTSIDE VIEW



Vertical cross section B-B

Scale 1:4

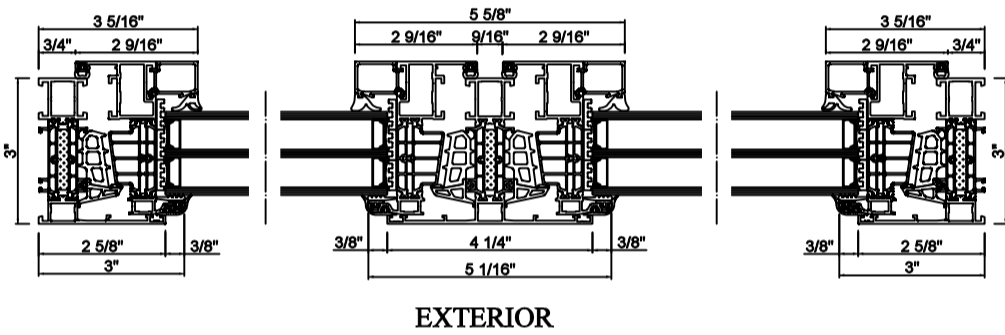


INTERIOR
EXTERIOR

Windows type: *Tilt&Turn*

Horizontal cross section A-A

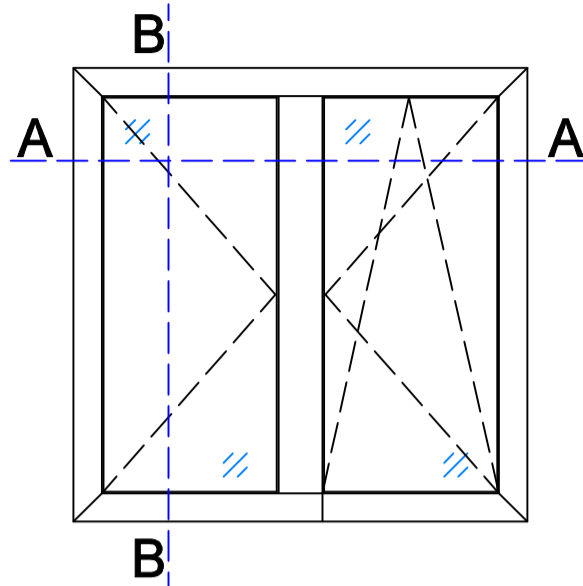
Scale 1:4



INTERIOR

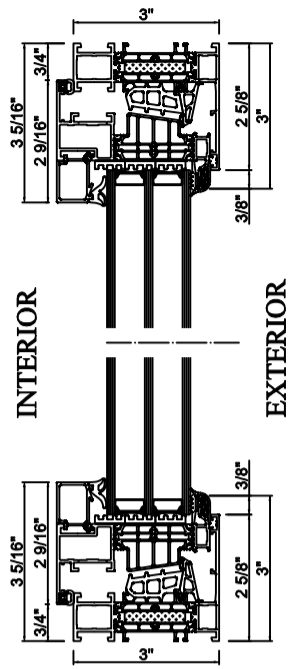
EXTERIOR

OUTSIDE VIEW



Vertical cross section B-B

Scale 1:4

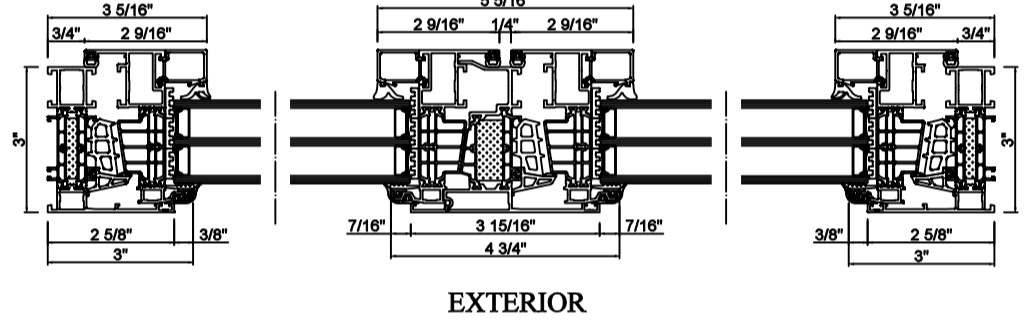


INTERIOR
EXTERIOR

Windows type: *Tilt&Turn + Turn*

Horizontal cross section A-A

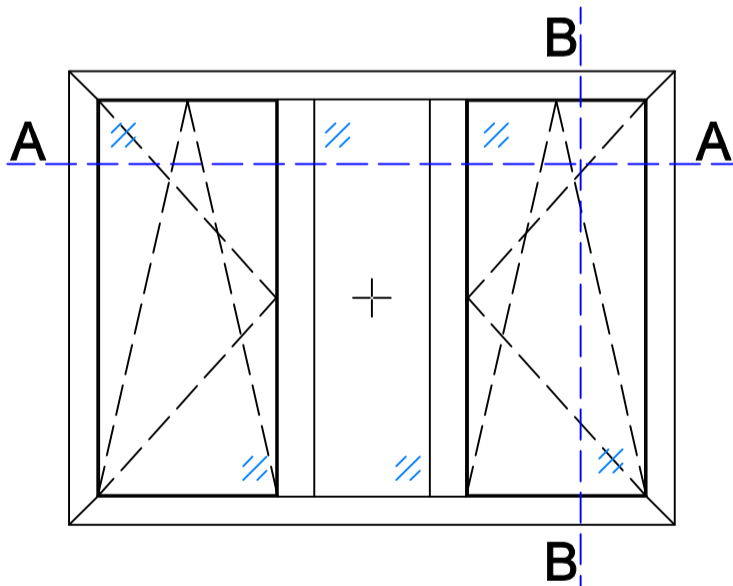
Scale 1:4



INTERIOR

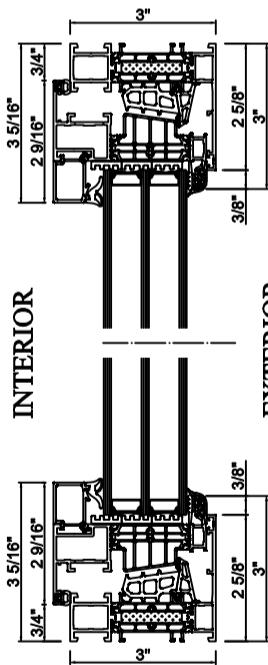
EXTERIOR

OUTSIDE VIEW



Vertical cross section B-B

Scale 1:4

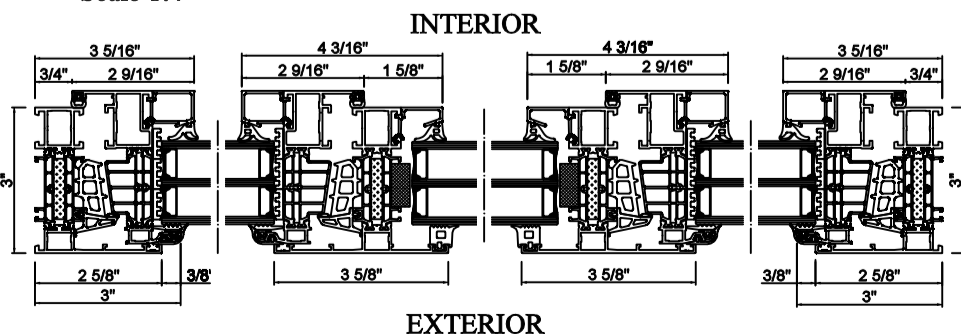


INTERIOR
EXTERIOR

Windows type: *FIX + Tilt&Turn*

Horizontal cross section A-A

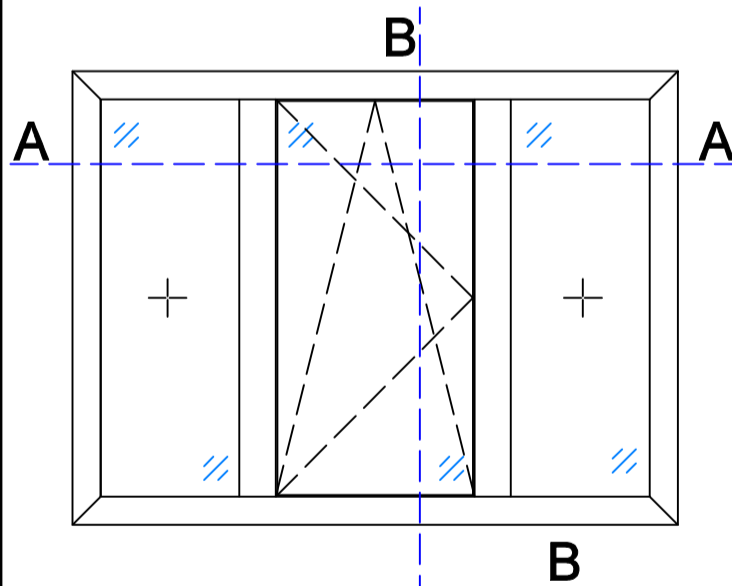
Scale 1:4



INTERIOR

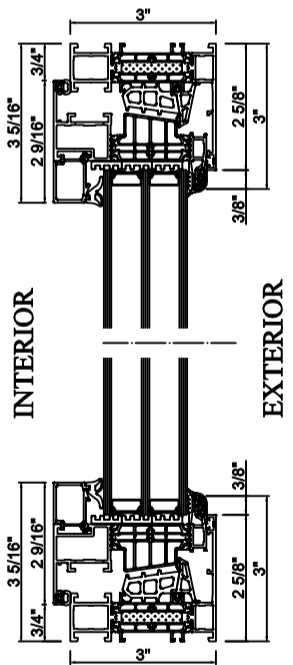
EXTERIOR

OUTSIDE VIEW



Vertical cross section B-B

Scale 1:4

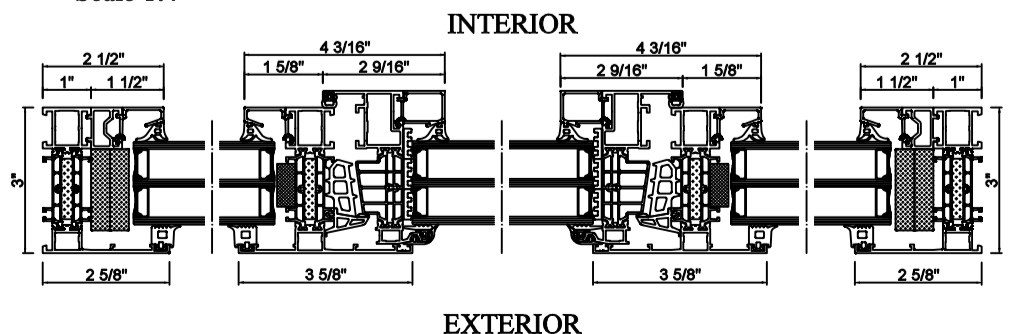


INTERIOR
EXTERIOR

Windows type: *FIX + Tilt&Turn*

Horizontal cross section A-A

Scale 1:4



INTERIOR

EXTERIOR