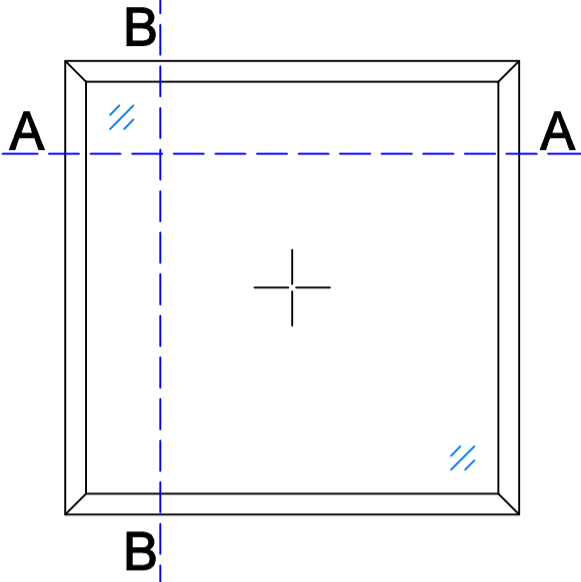
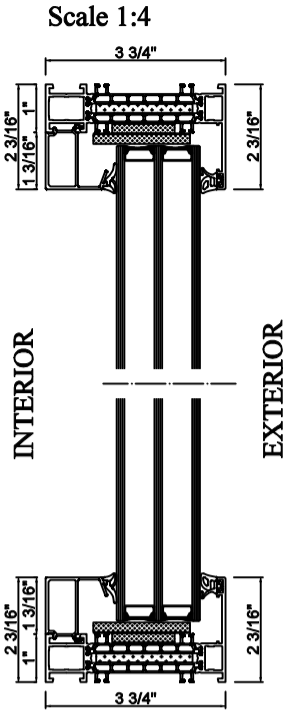


OUTSIDE VIEW

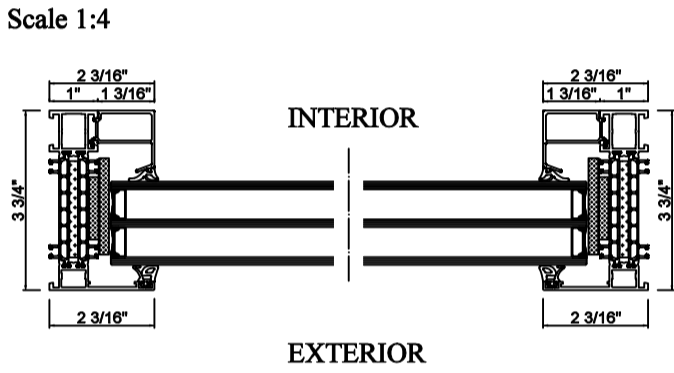


Windows type: *FIX*

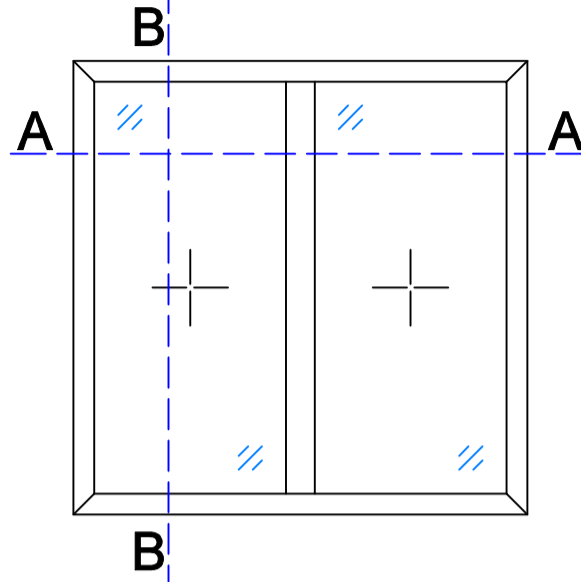
Vertical cross section B-B



Horizontal cross section A-A

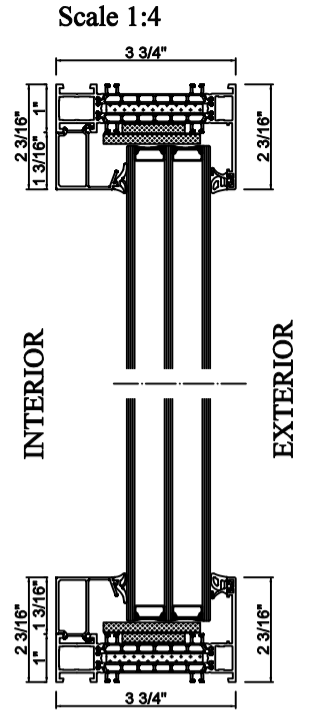


OUTSIDE VIEW

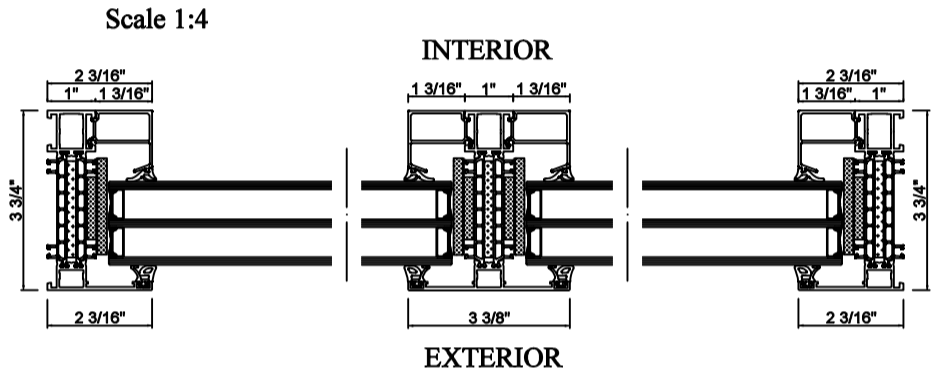


Windows type: *FIX*

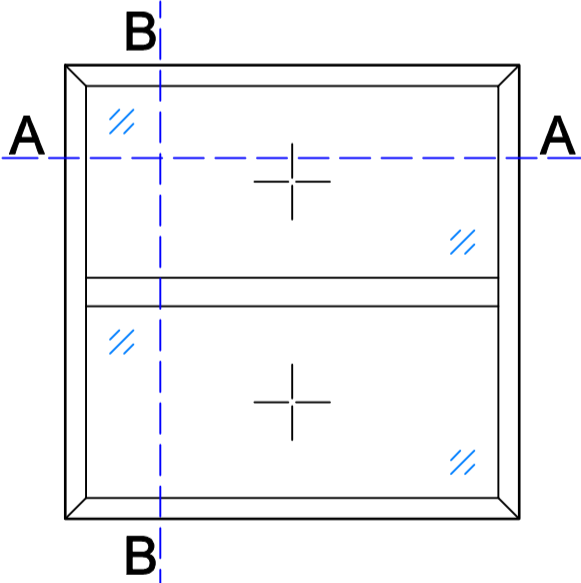
Vertical cross section B-B



Horizontal cross section A-A

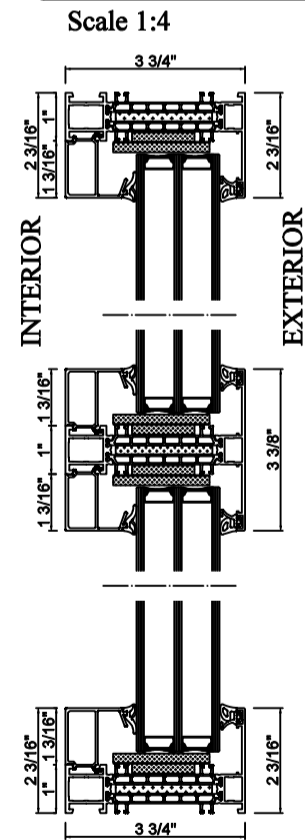


OUTSIDE VIEW

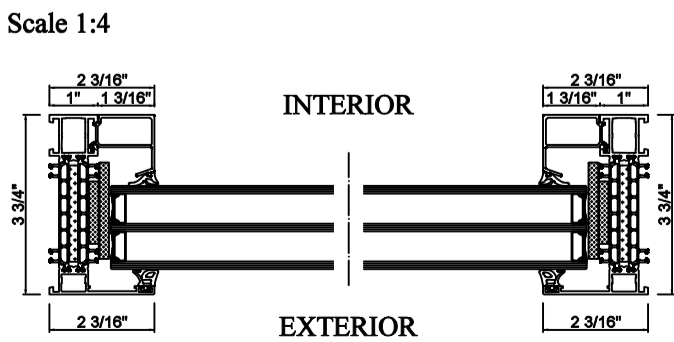


Windows type: *FIX*

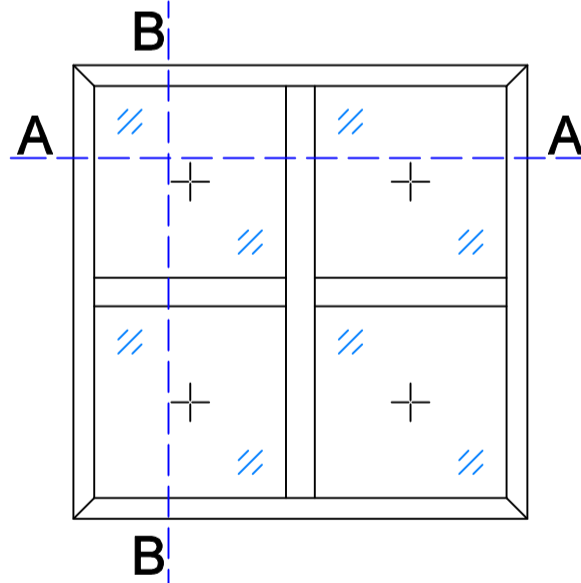
Vertical cross section B-B



Horizontal cross section A-A

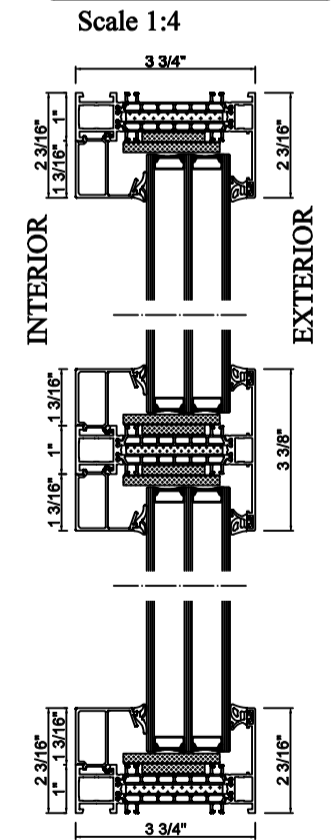


OUTSIDE VIEW

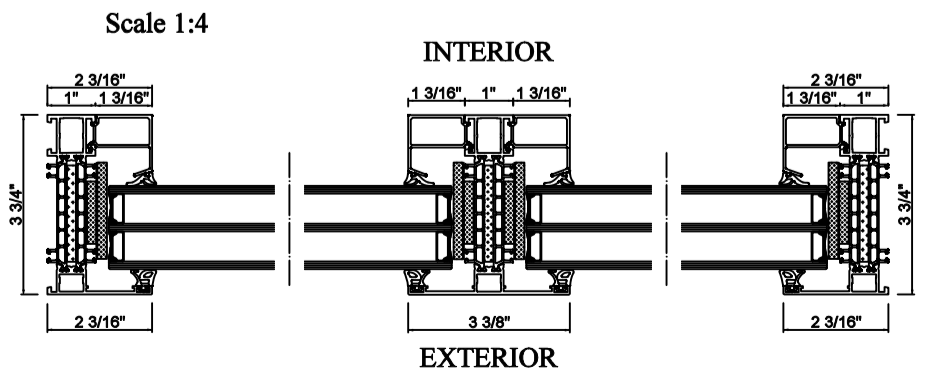


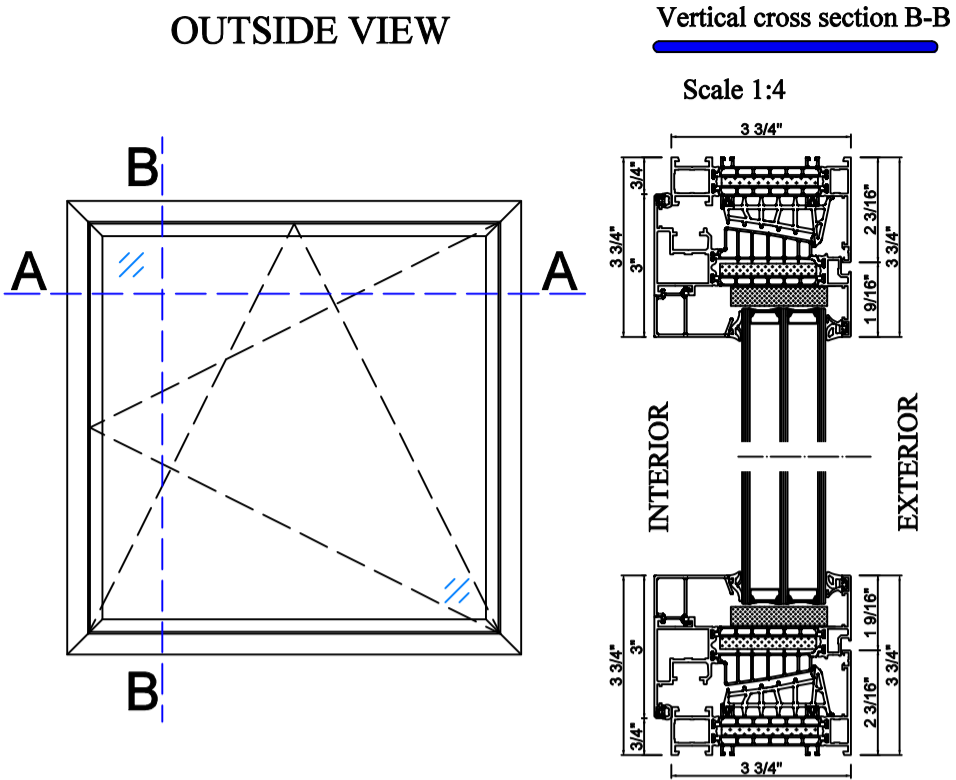
Windows type: *FIX*

Vertical cross section B-B



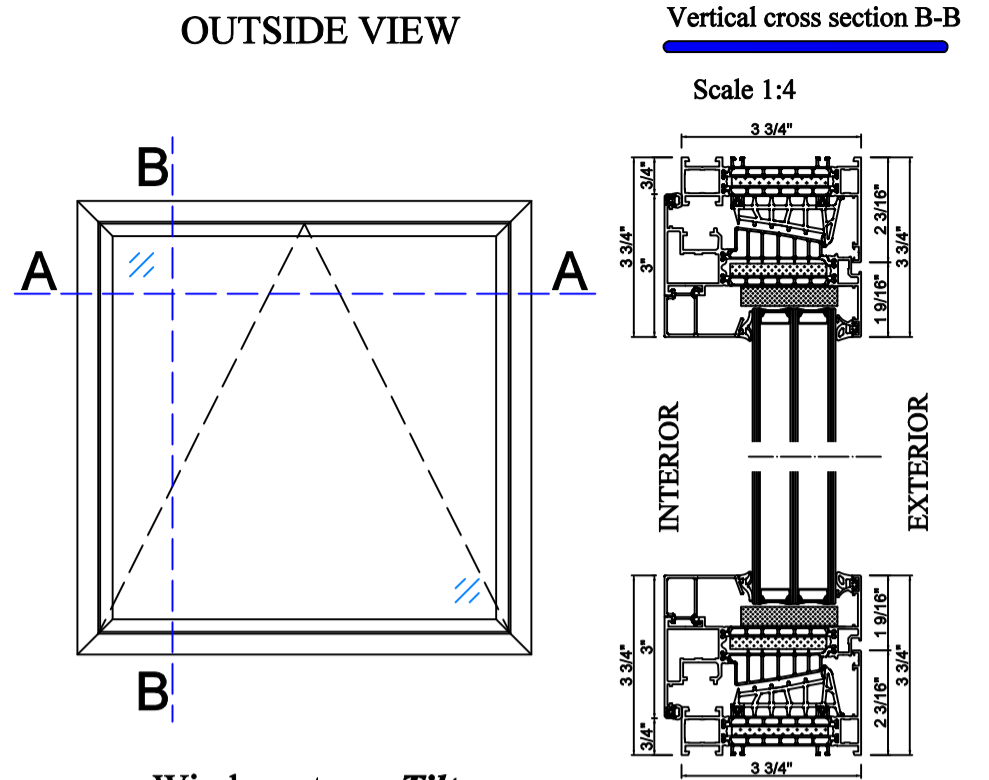
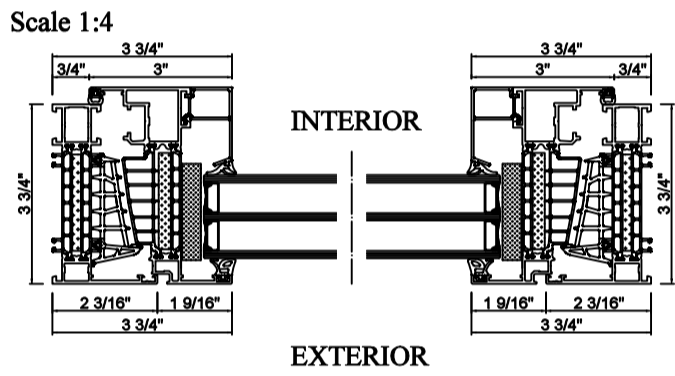
Horizontal cross section A-A





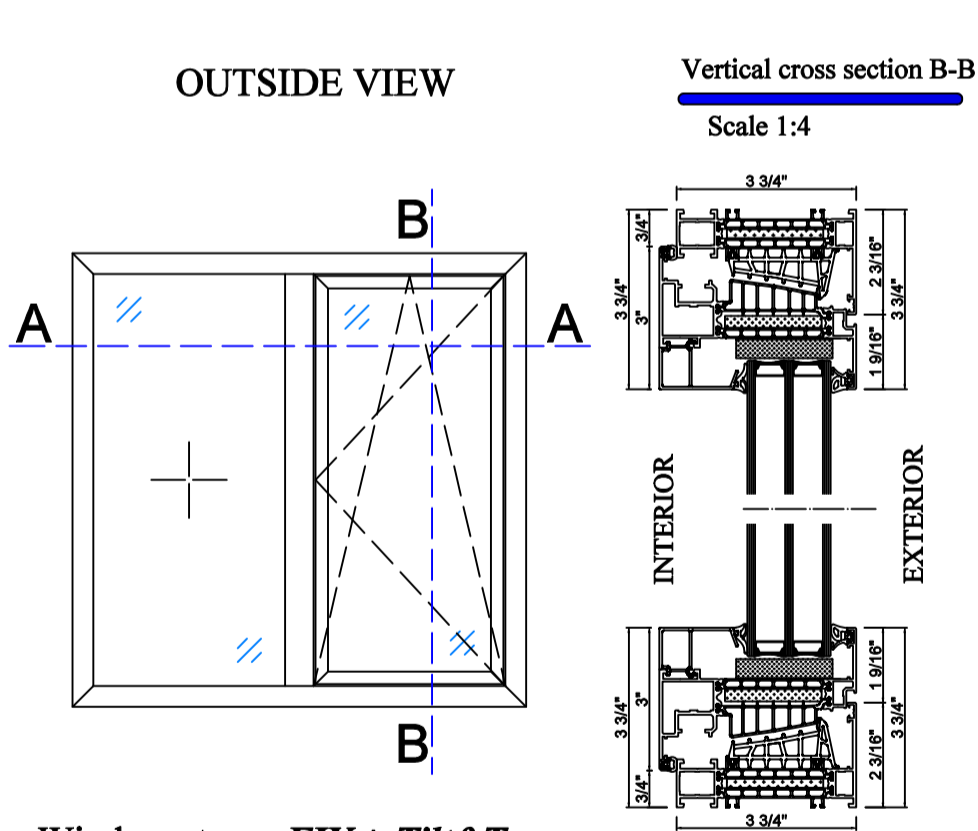
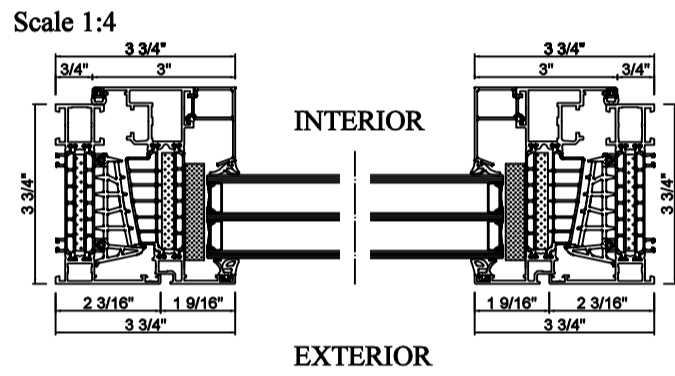
Windows type: *Tilt&Turn*

Horizontal cross section A-A



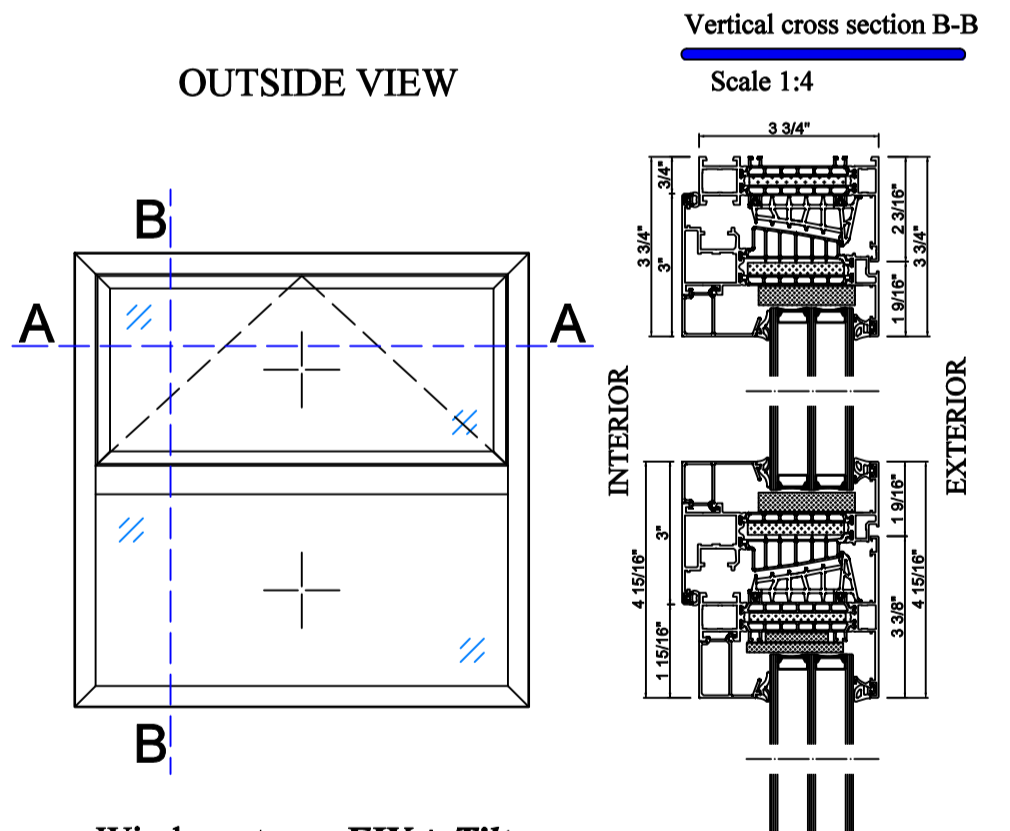
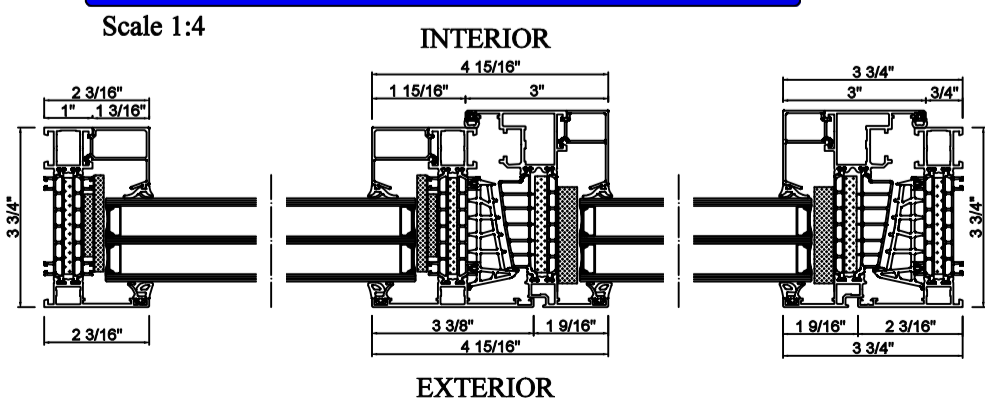
Windows type: *Tilt*

Horizontal cross section A-A



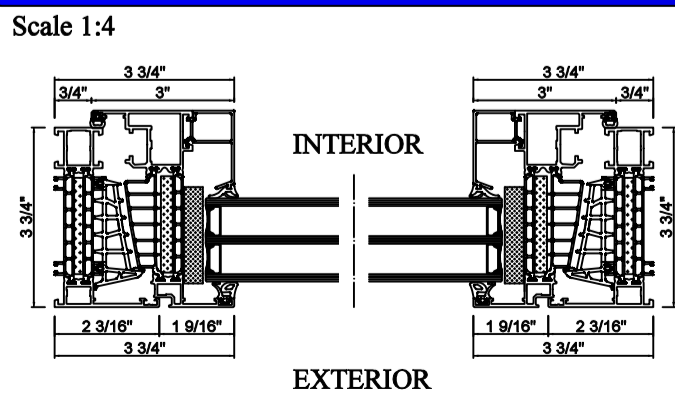
Windows type: *FIX + Tilt&Turn*

Horizontal cross section A-A

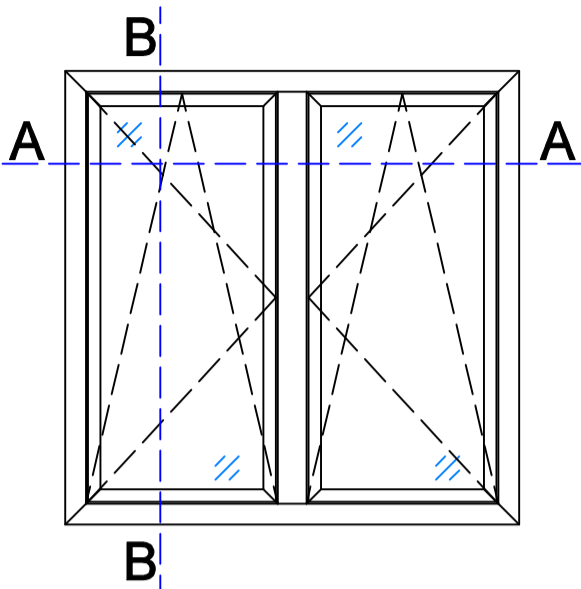


Windows type: *FIX + Tilt*

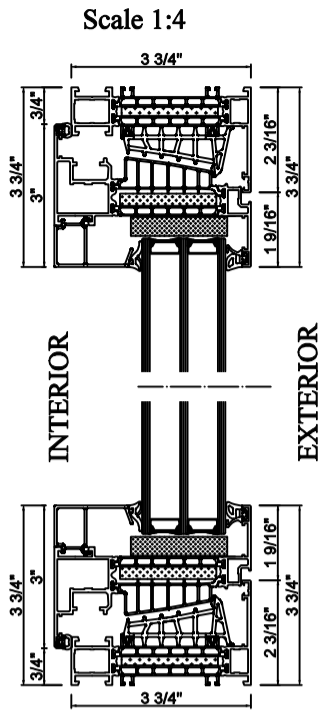
Horizontal cross section A-A



OUTSIDE VIEW

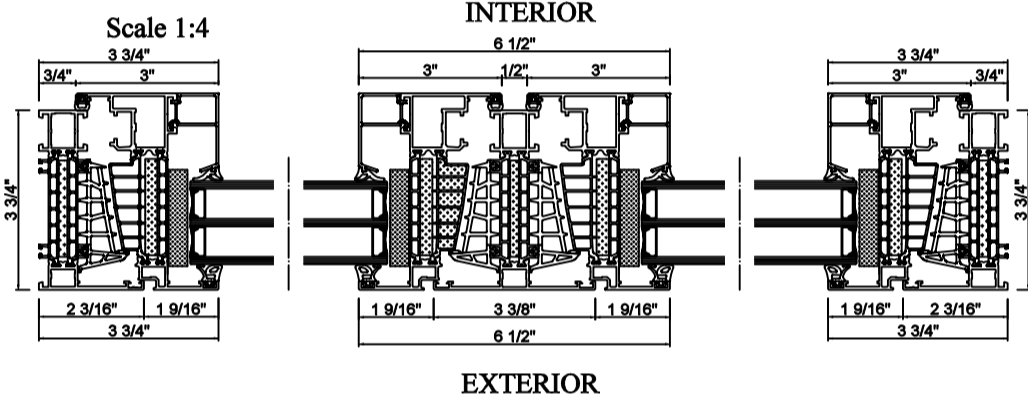


Vertical cross section B-B

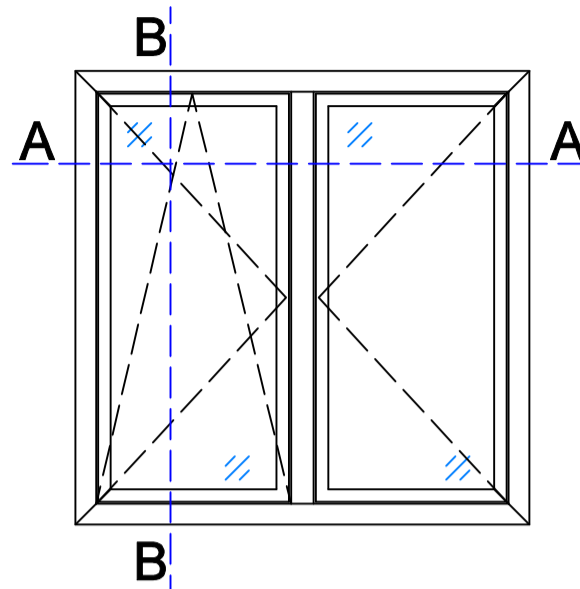


Windows type: *Tilt&Turn*

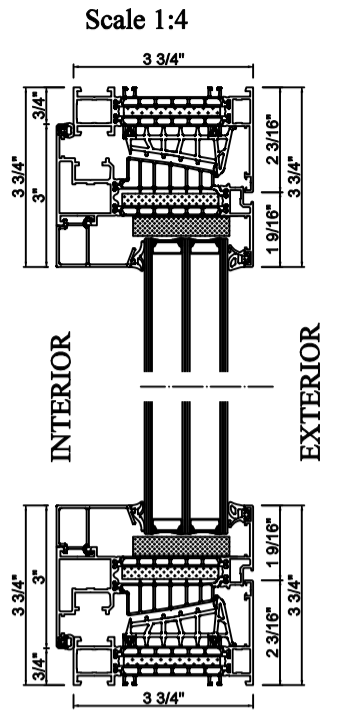
Horizontal cross section A-A



OUTSIDE VIEW

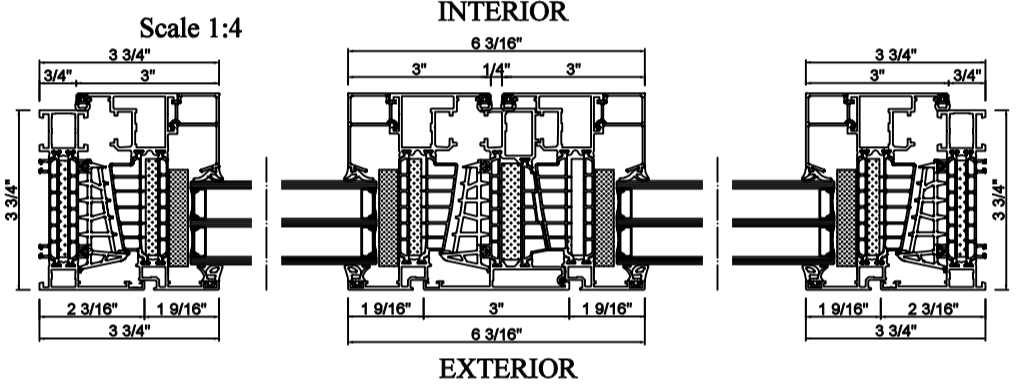


Vertical cross section B-B

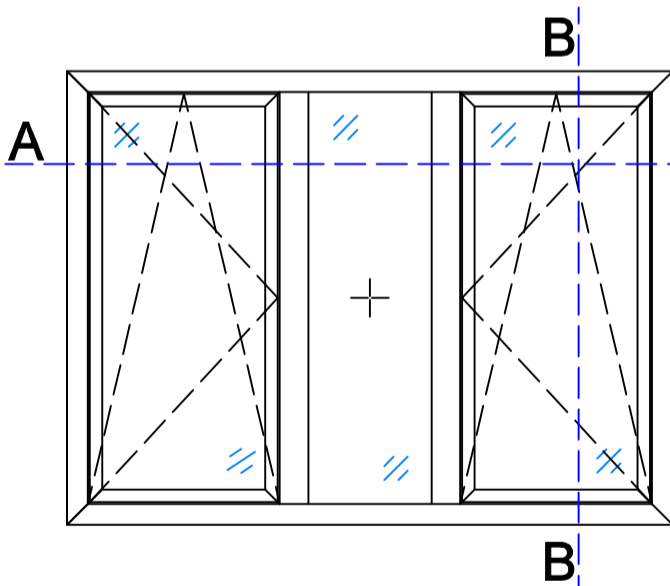


Windows type: *Tilt&Turn + Turn*

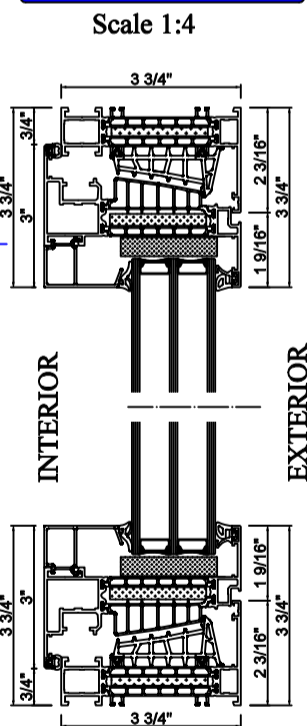
Horizontal cross section A-A



OUTSIDE VIEW

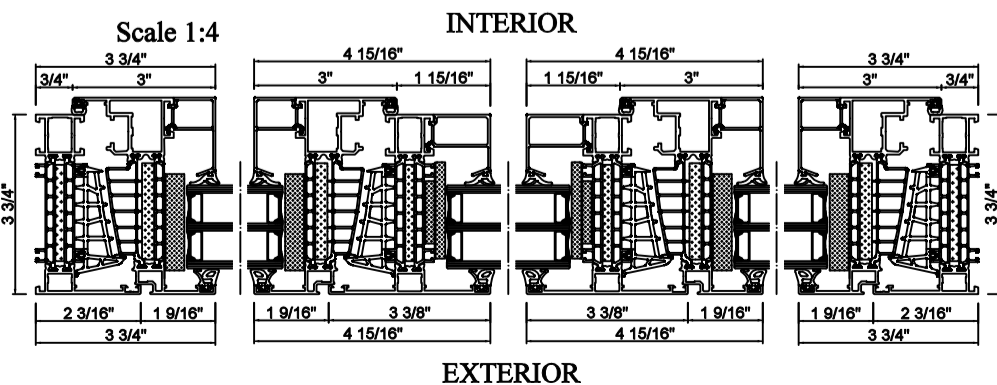


Vertical cross section B-B

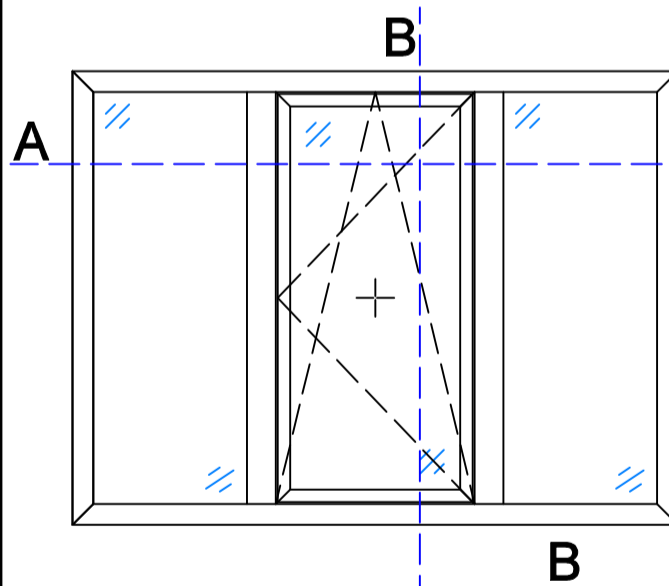


Windows type: *FIX + Tilt&Turn*

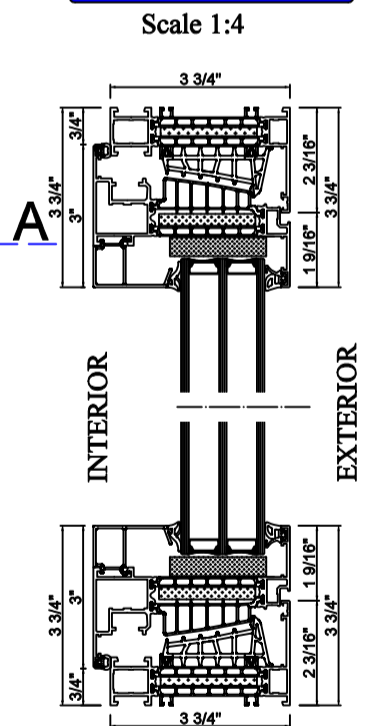
Horizontal cross section A-A



OUTSIDE VIEW



Vertical cross section B-B



Windows type: *FIX + Tilt&Turn*

Horizontal cross section A-A

