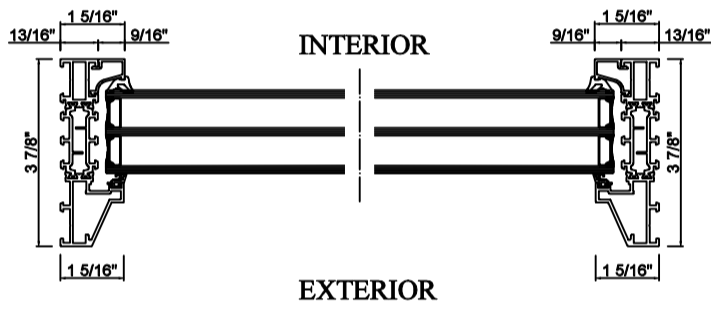


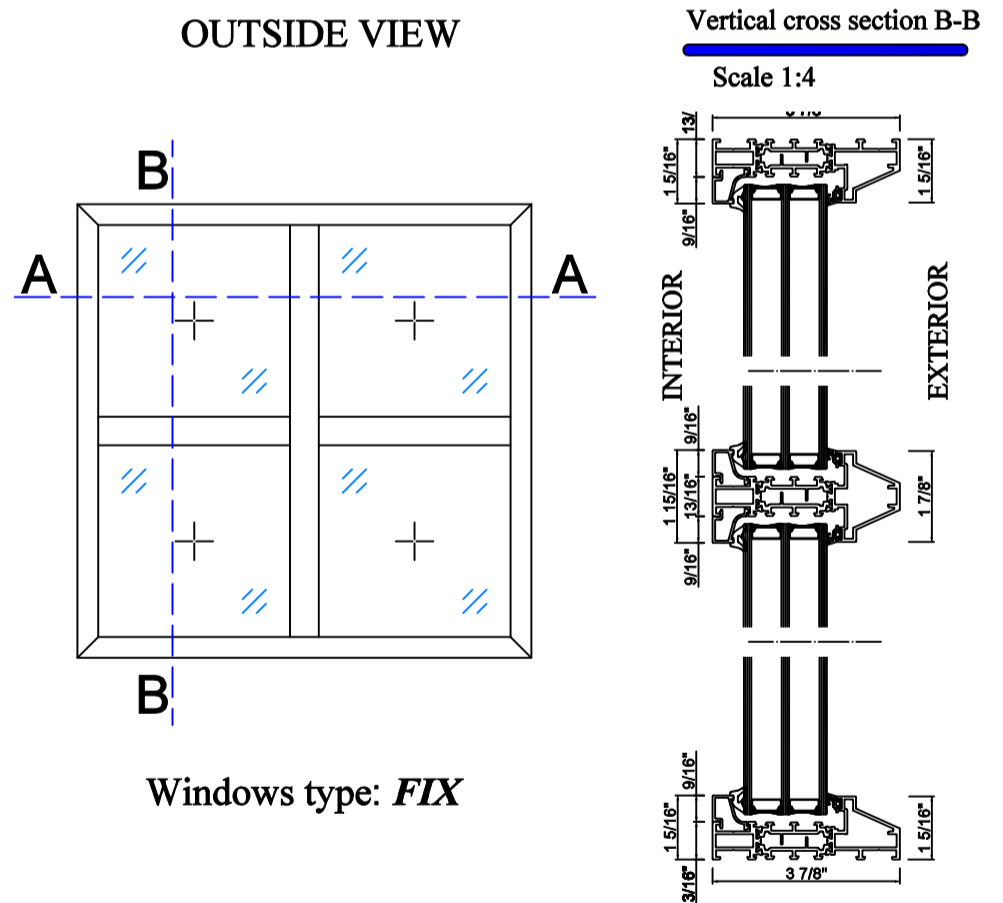
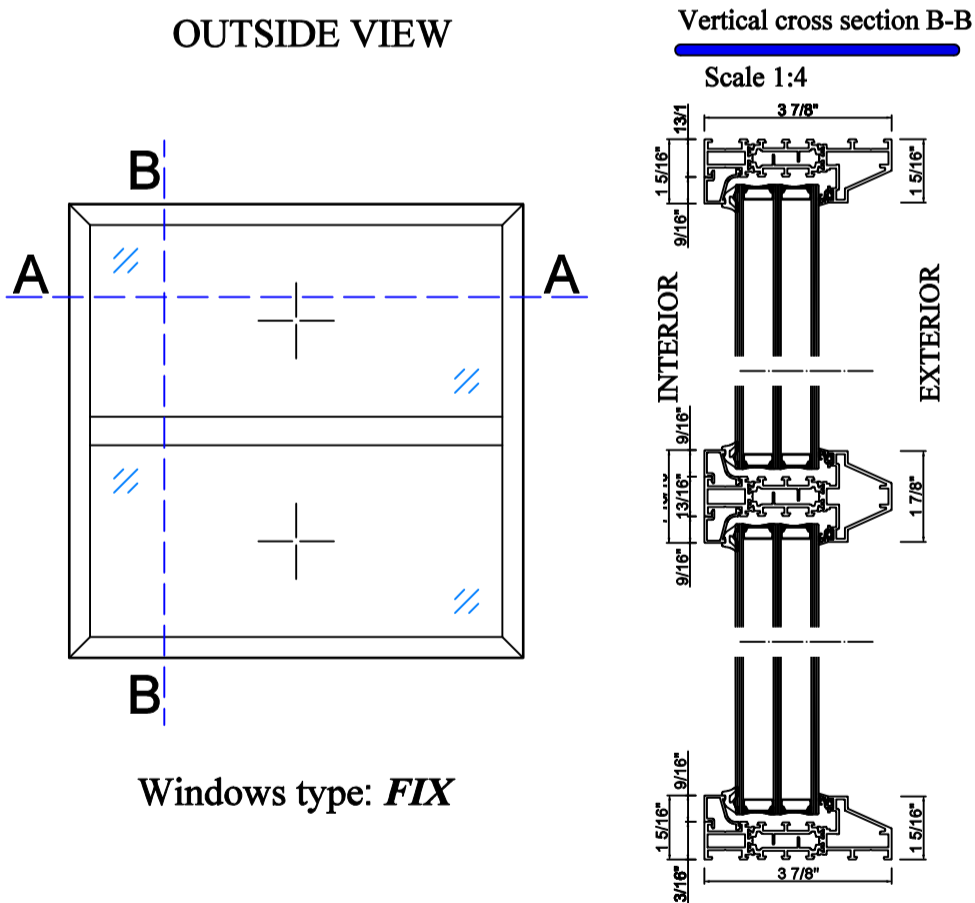
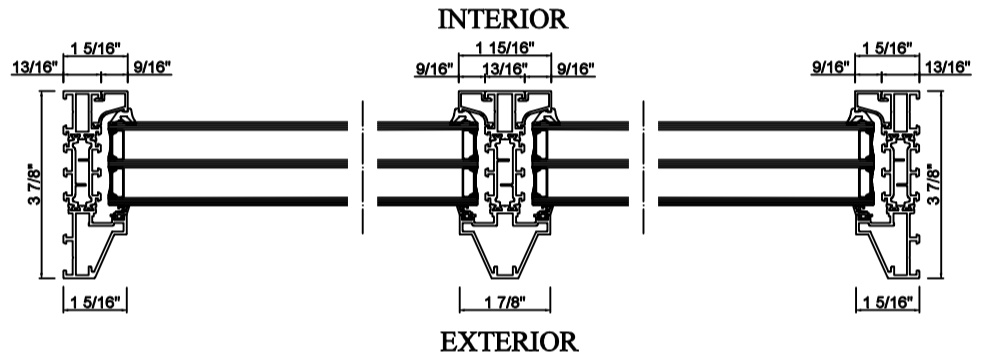
Horizontal cross section A-A

Scale 1:4



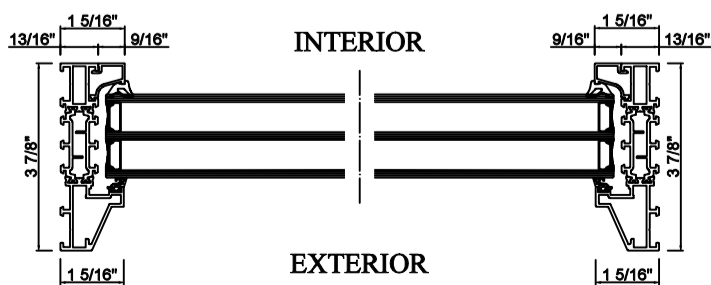
Horizontal cross section A-A

Scale 1:4



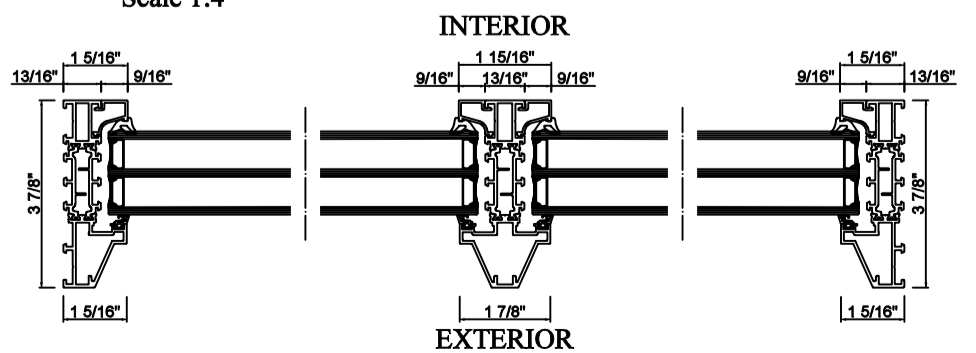
Horizontal cross section A-A

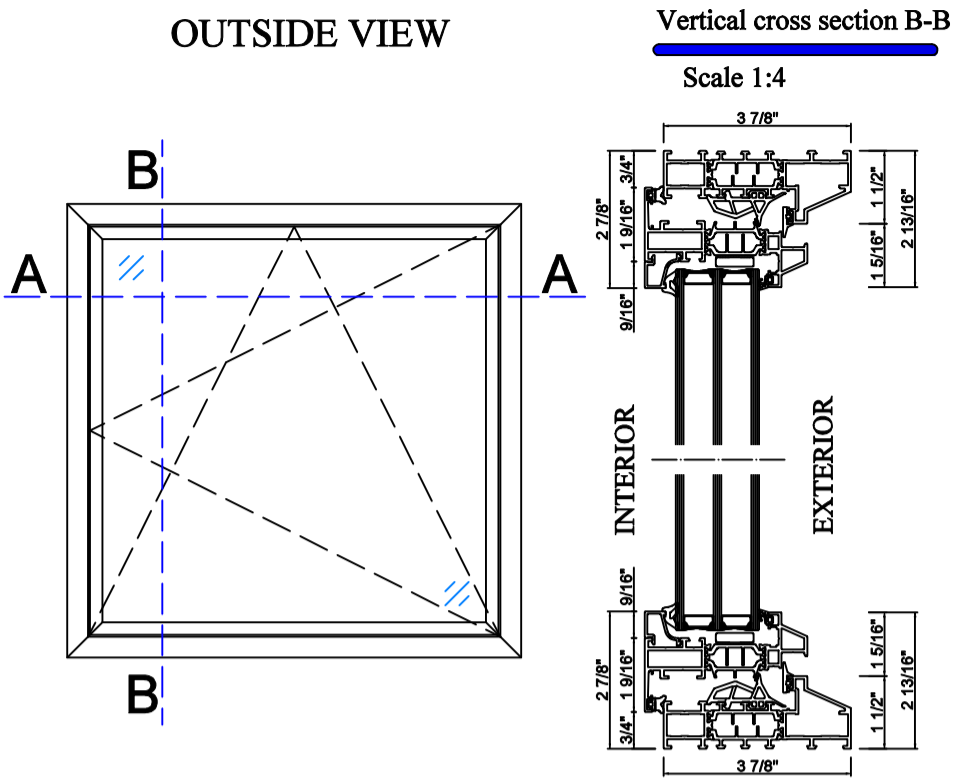
Scale 1:4



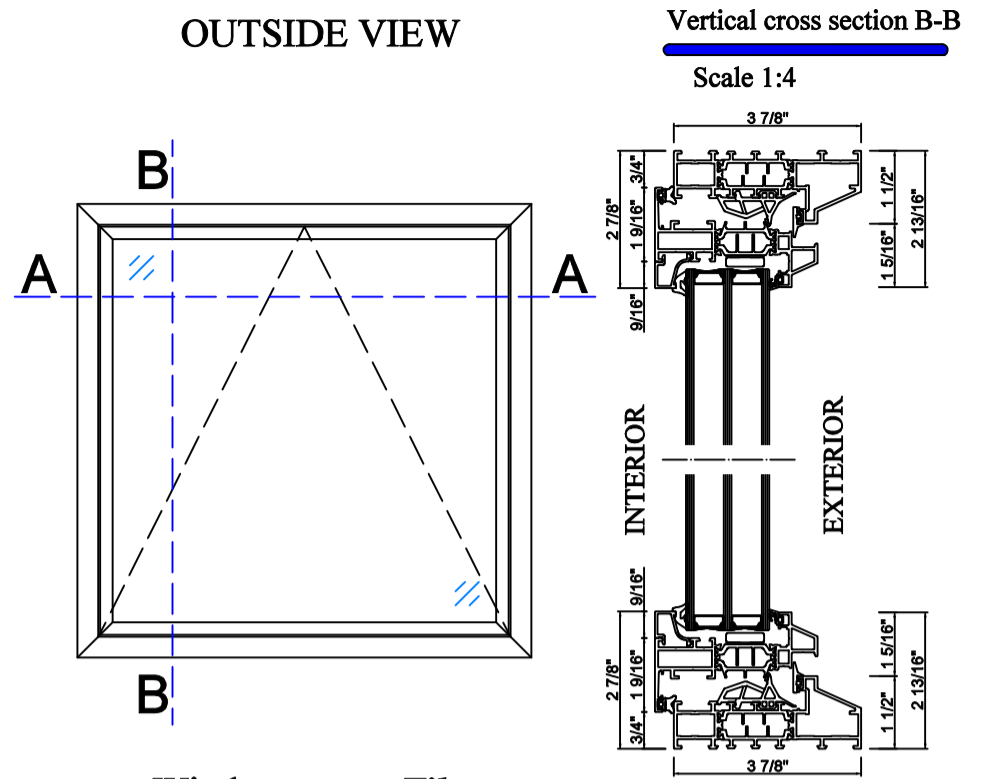
Horizontal cross section A-A

Scale 1:4



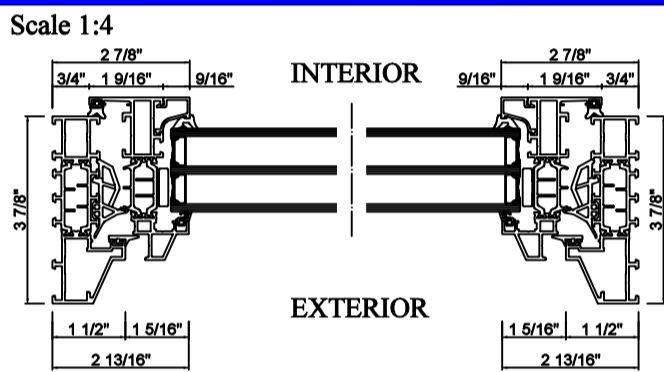


Windows type: *Tilt&Turn*

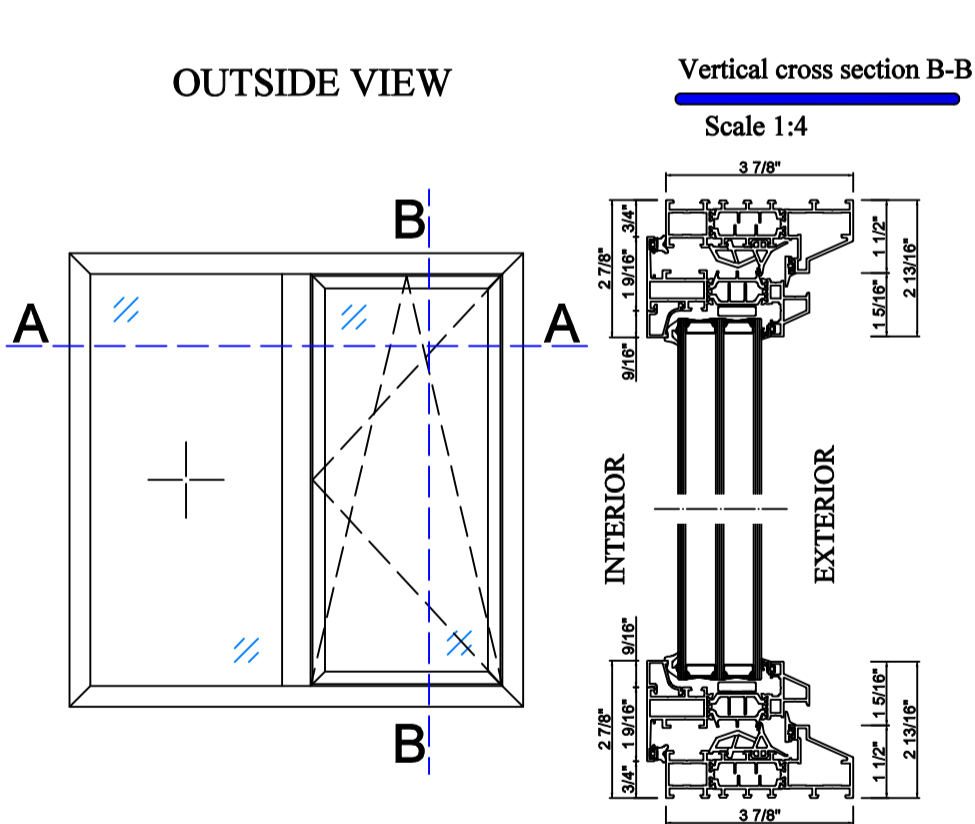
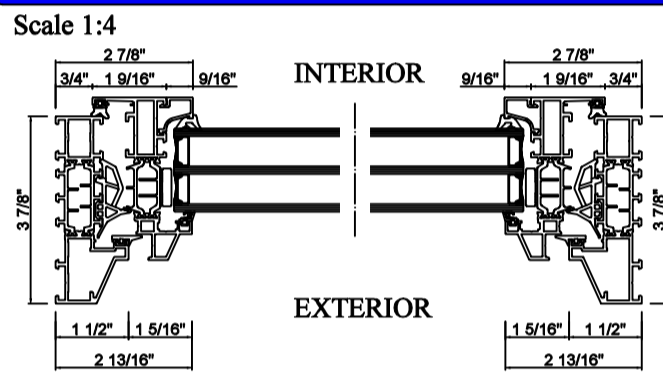


Windows type: *Tilt*

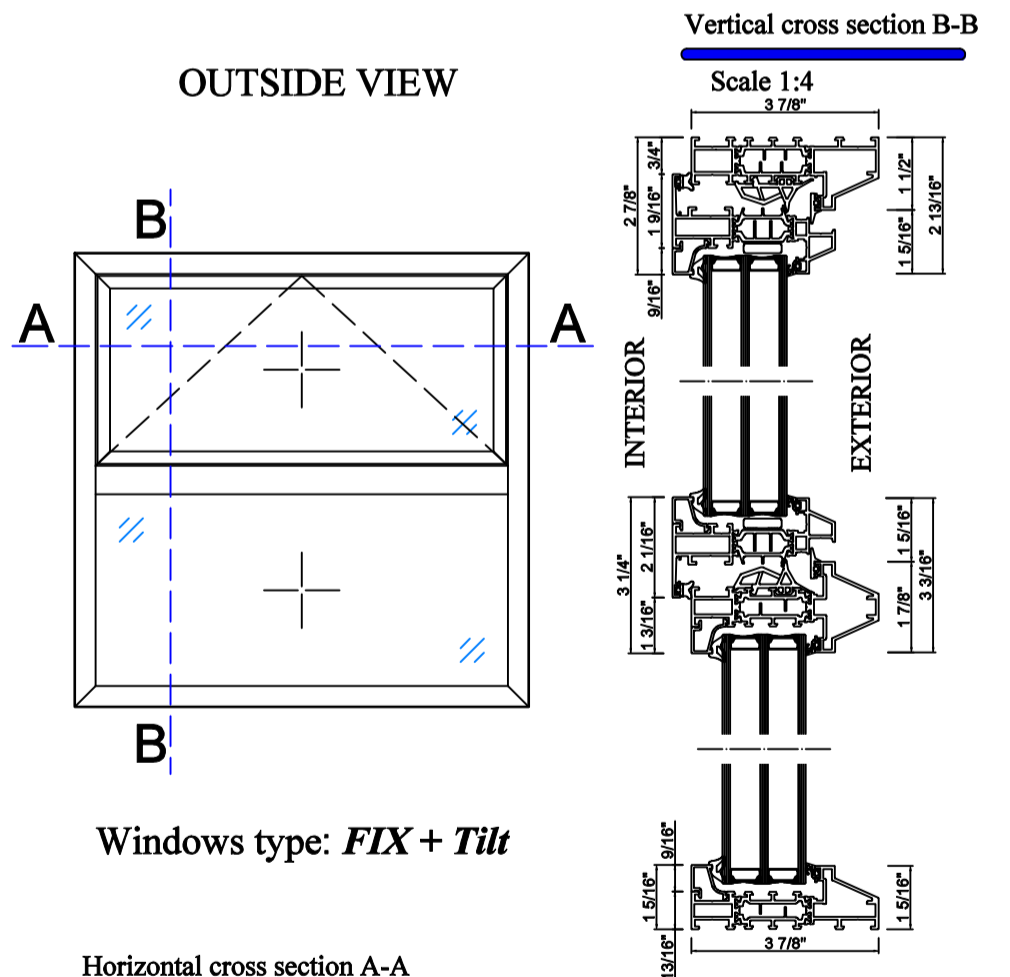
Horizontal cross section A-A



Horizontal cross section A-A

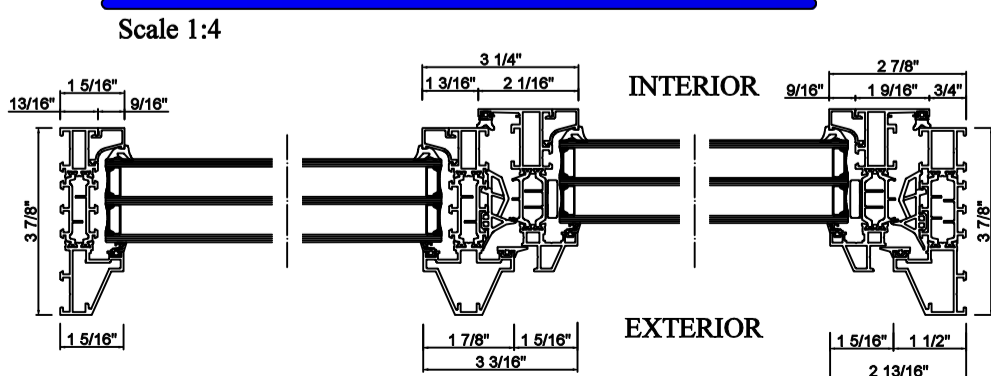


Windows type: *FIX + Tilt&Turn*

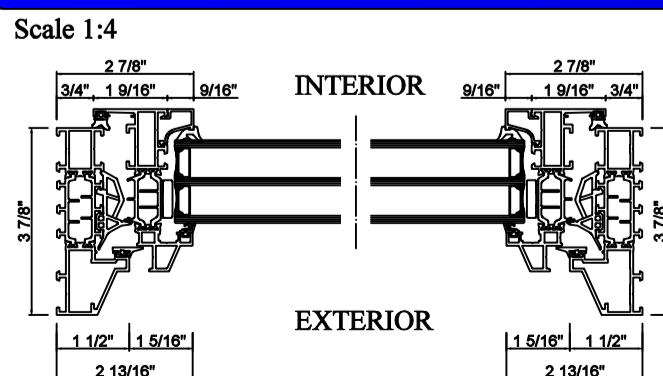


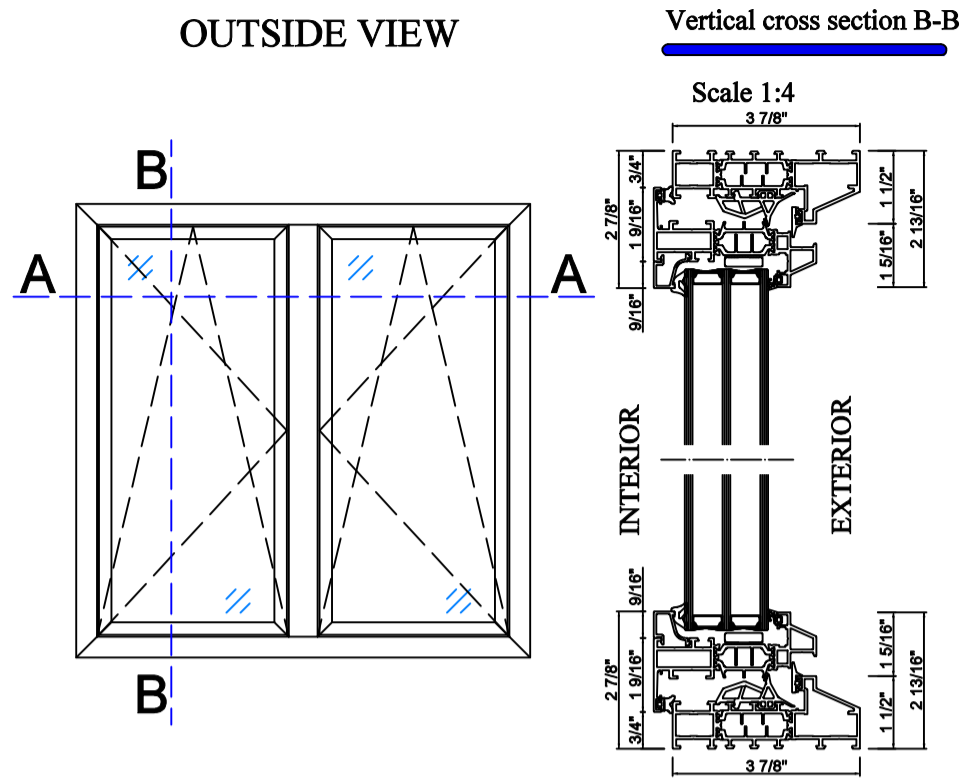
Windows type: *FIX + Tilt*

Horizontal cross section A-A

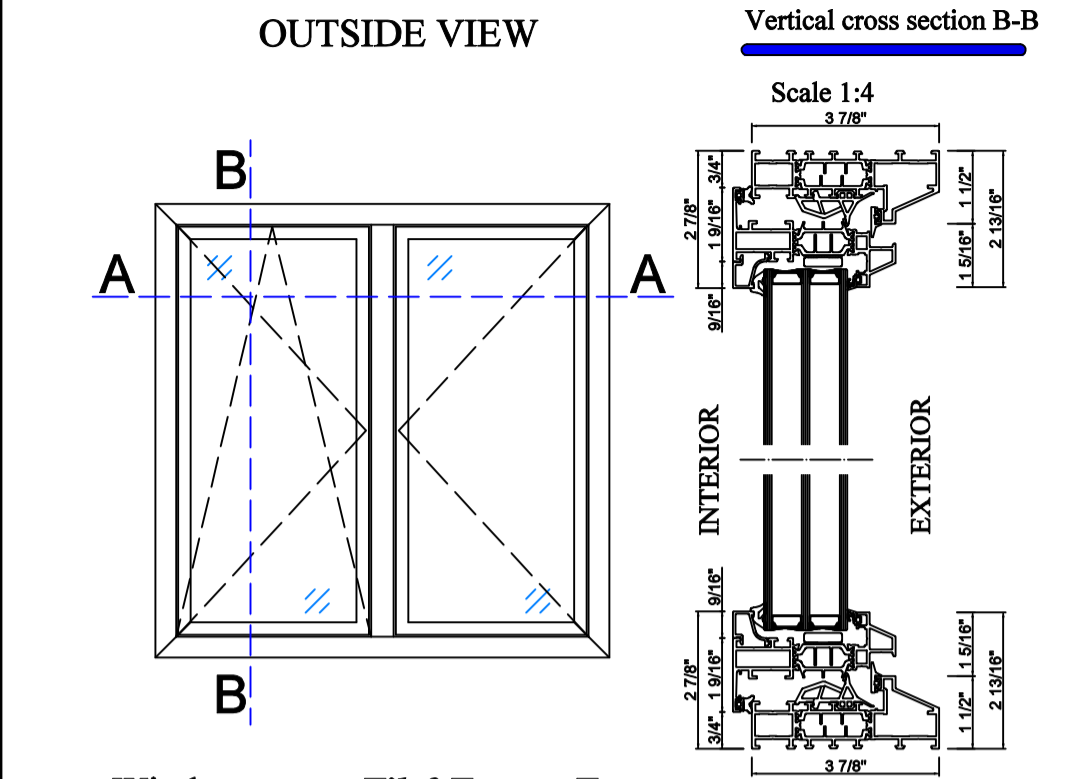


Horizontal cross section A-A

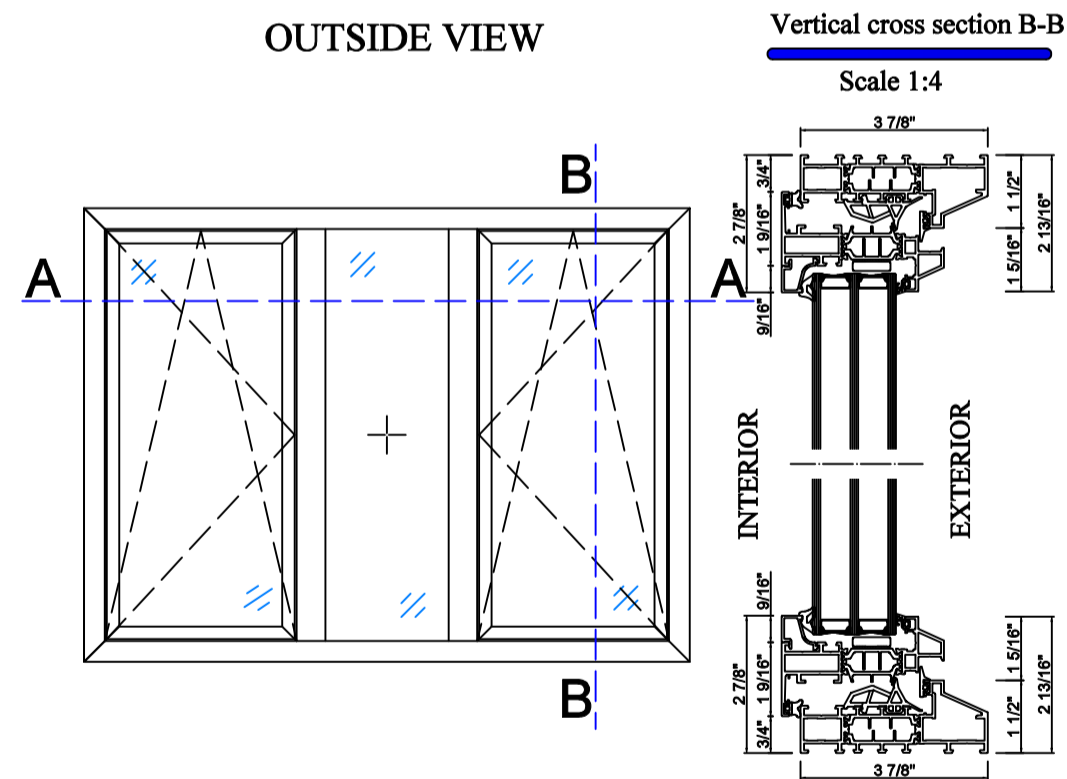
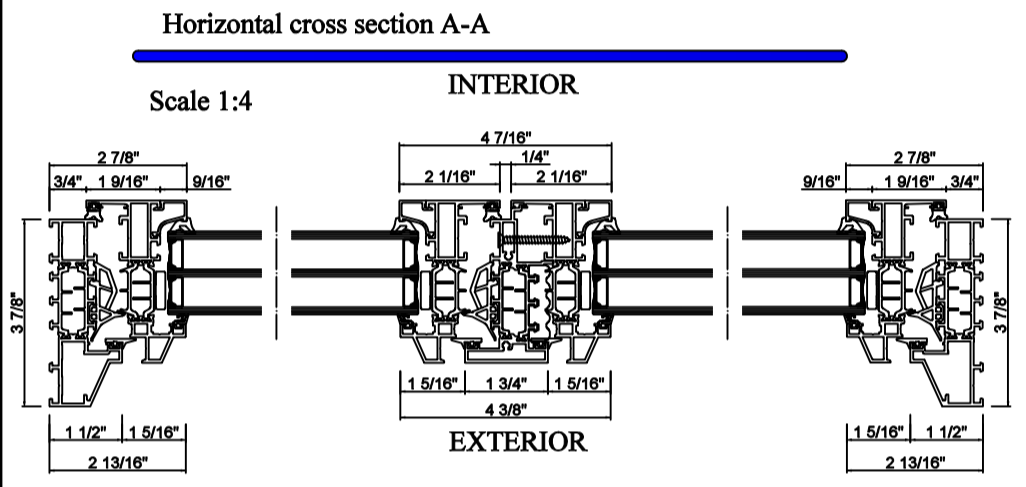
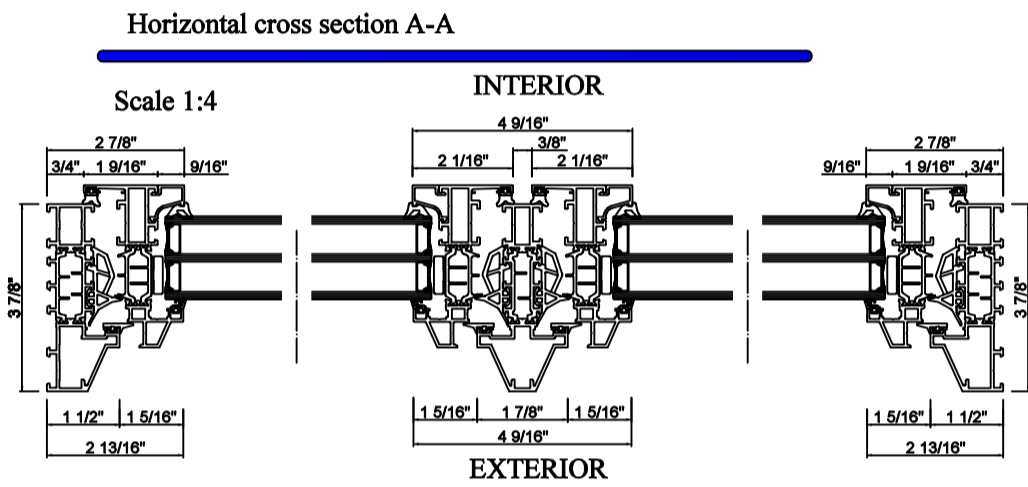




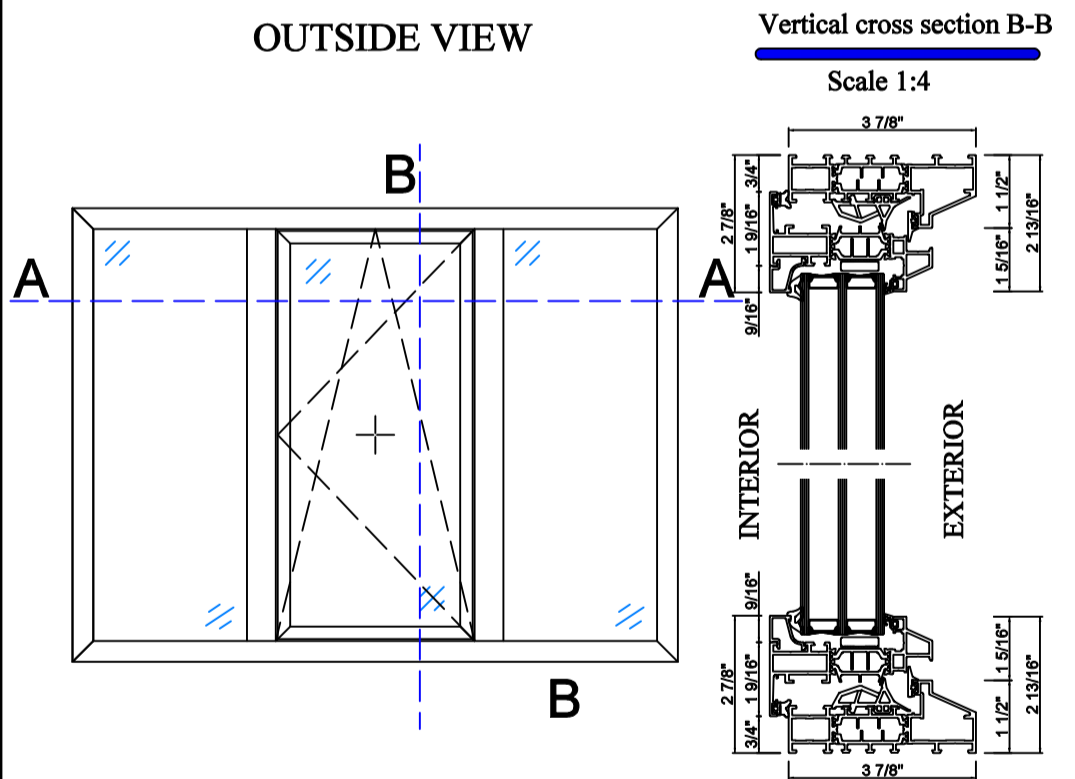
Windows type: *Tilt&Turn*



Windows type: *Tilt&Turn + Turn*



Windows type: *FIX + Tilt&Turn*



Windows type: *FIX + Tilt&Turn*

