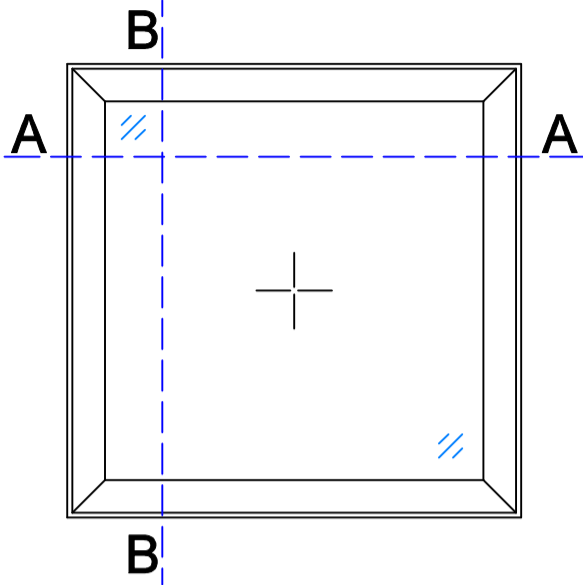


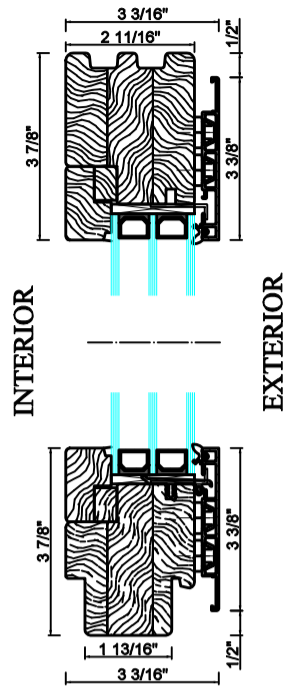
OUTSIDE VIEW



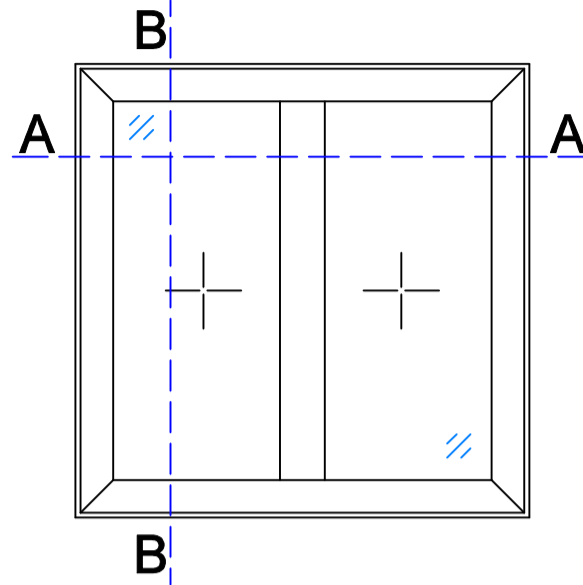
Windows type: *FIX*

Vertical cross section B-B

Scale 1:4



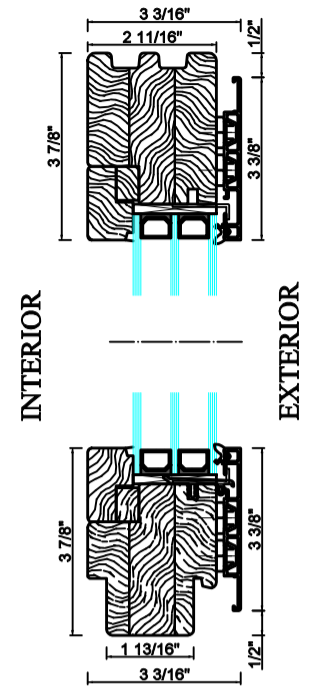
OUTSIDE VIEW



Windows type: *FIX*

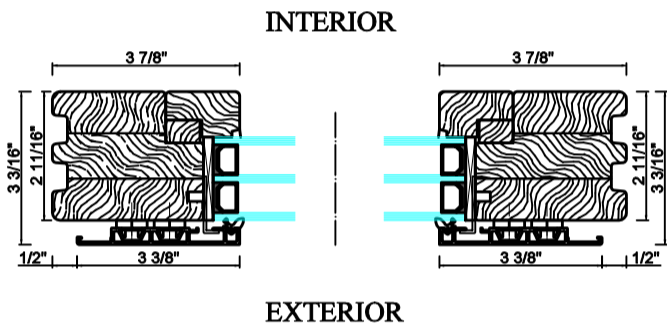
Vertical cross section B-B

Scale 1:4



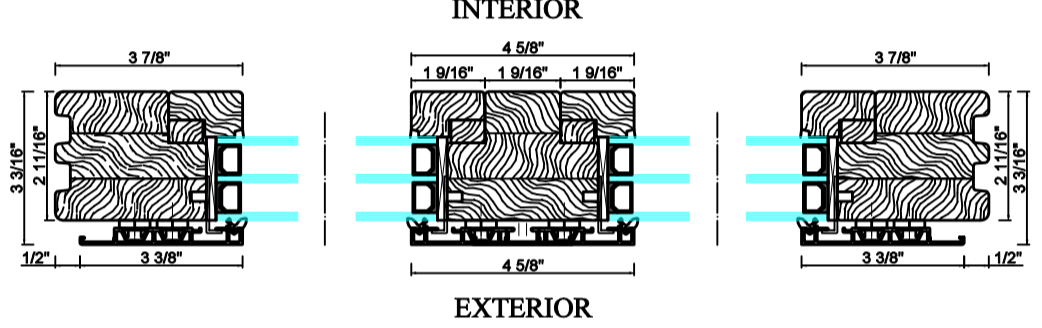
Horizontal cross section A-A

Scale 1:4

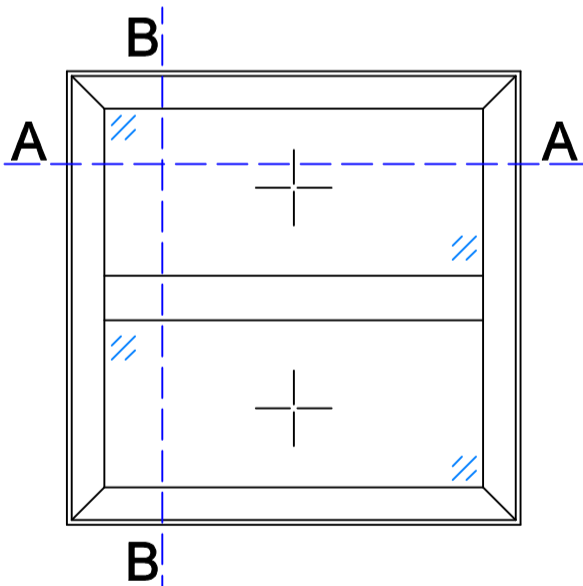


Horizontal cross section A-A

Scale 1:4



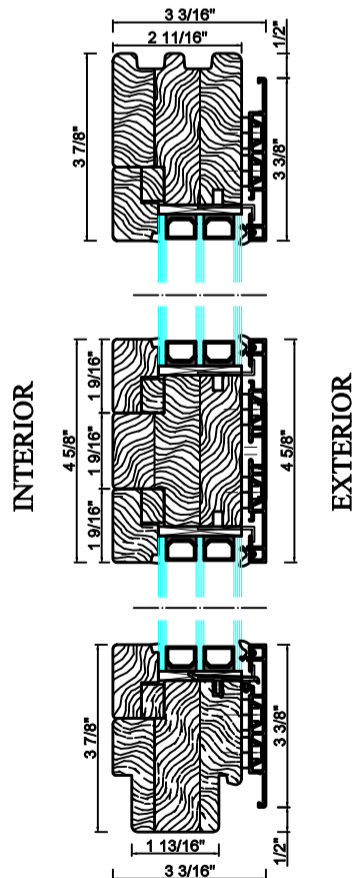
OUTSIDE VIEW



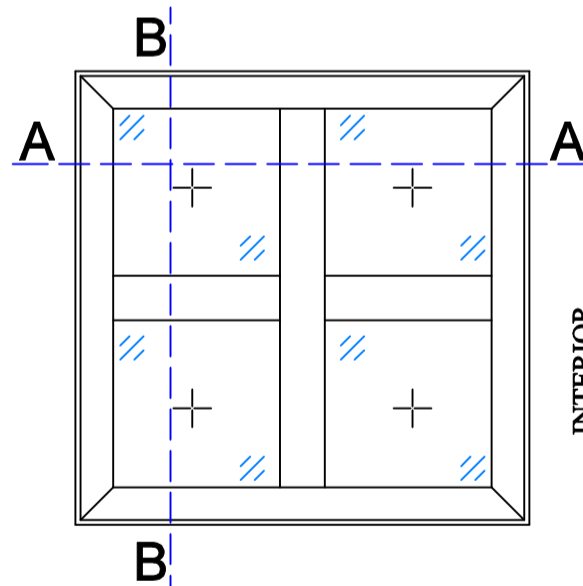
Windows type: *FIX*

Vertical cross section B-B

Scale 1:4



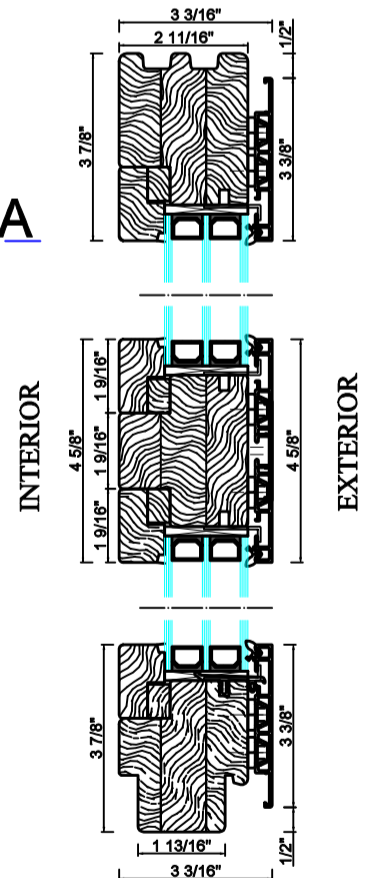
OUTSIDE VIEW



Windows type: *FIX*

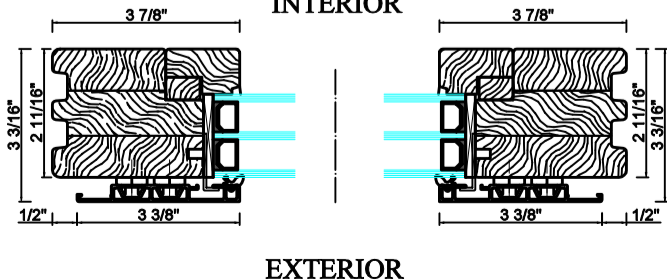
Vertical cross section B-B

Scale 1:4



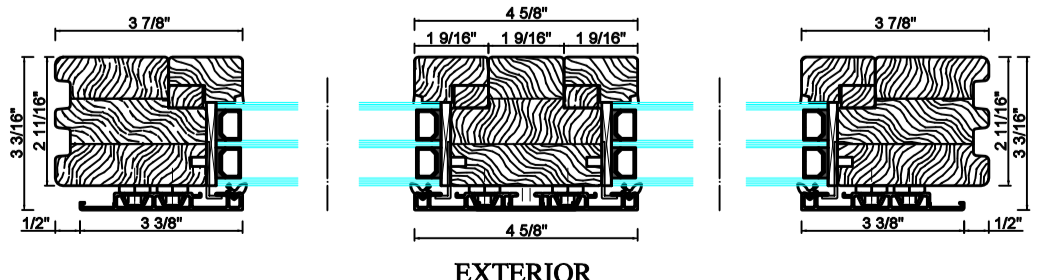
Horizontal cross section A-A

Scale 1:4

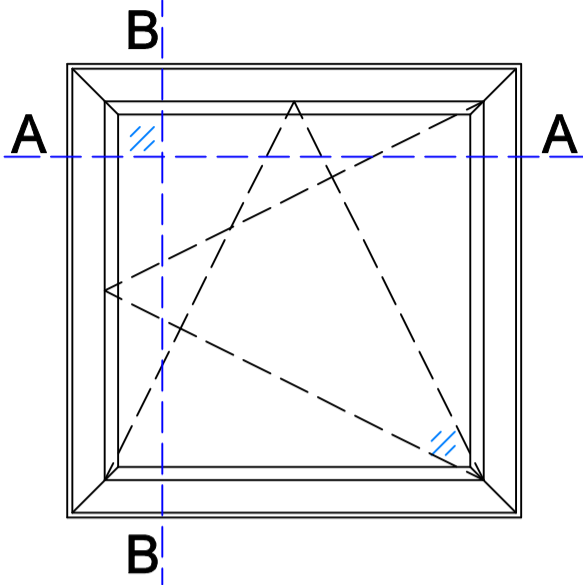


Horizontal cross section A-A

Scale 1:4

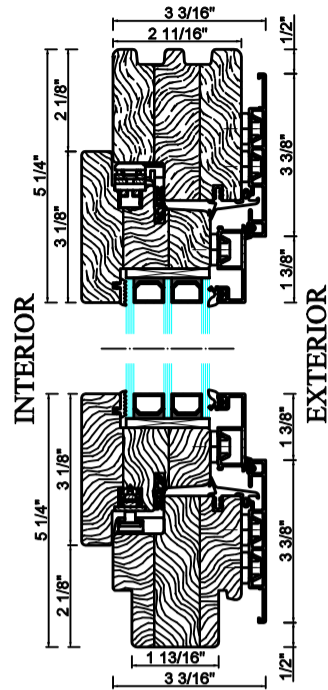


OUTSIDE VIEW



Vertical cross section B-B

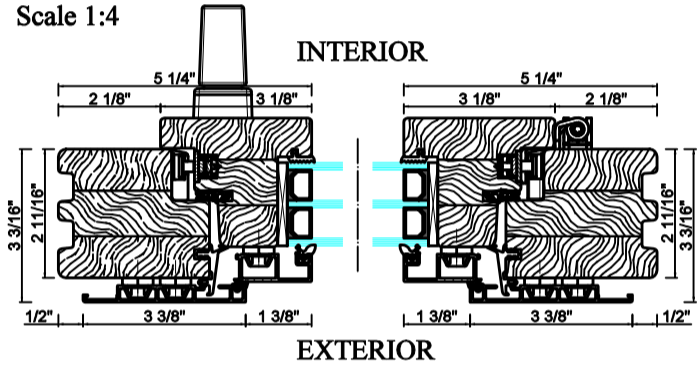
Scale 1:4



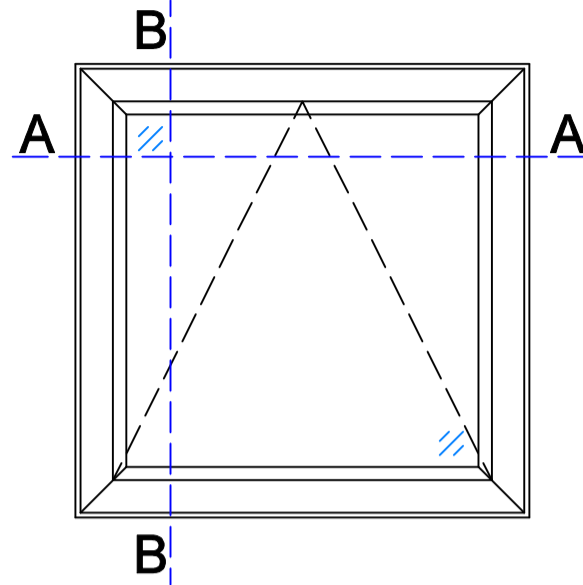
Windows type: *Tilt&Turn*

Horizontal cross section A-A

Scale 1:4

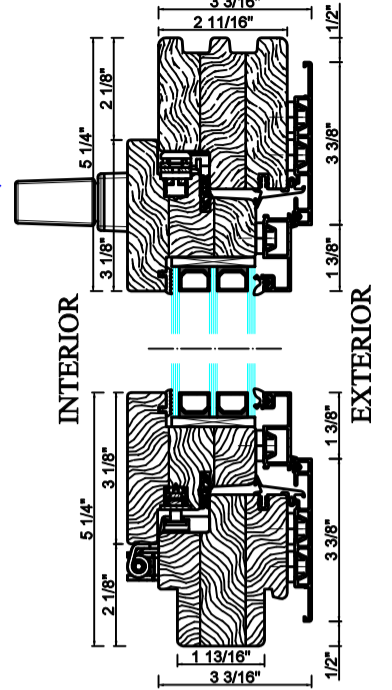


OUTSIDE VIEW



Vertical cross section B-B

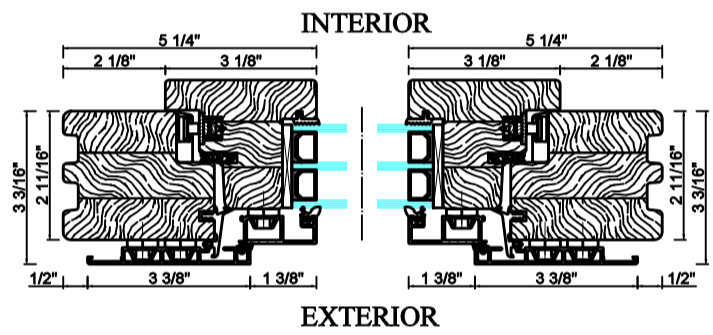
Scale 1:4



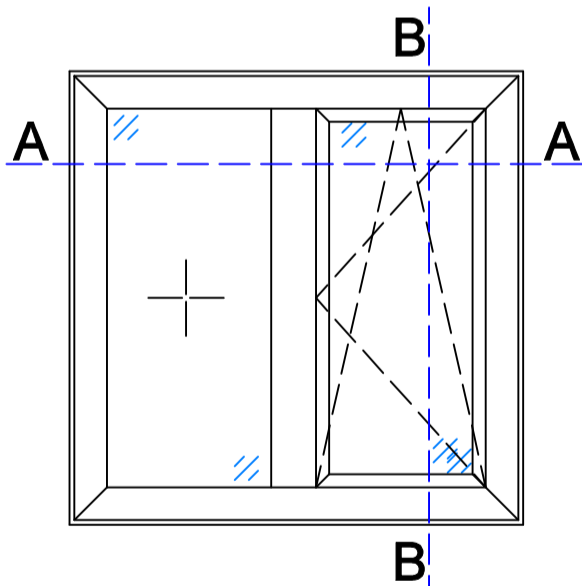
Windows type: *Tilt*

Horizontal cross section A-A

Scale 1:4

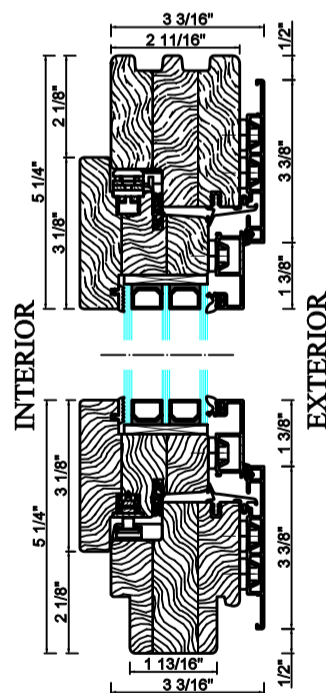


OUTSIDE VIEW



Vertical cross section B-B

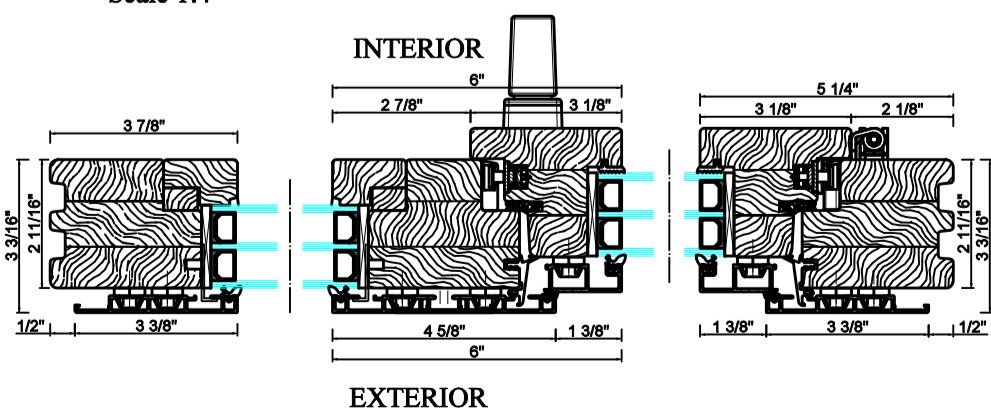
Scale 1:4



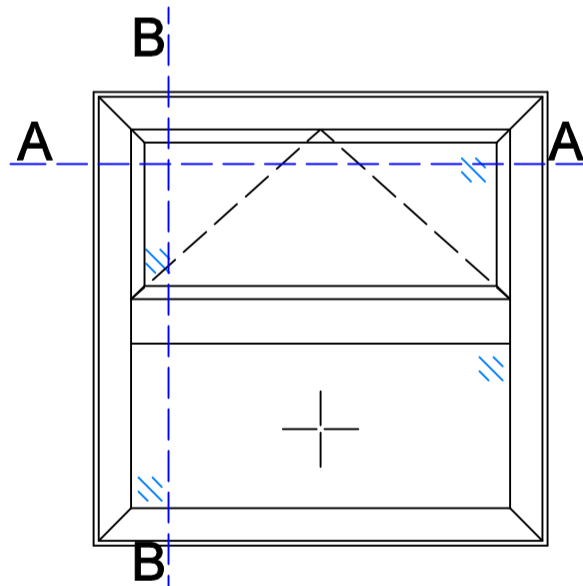
Windows type: *FIX + Tilt&Turn*

Horizontal cross section A-A

Scale 1:4

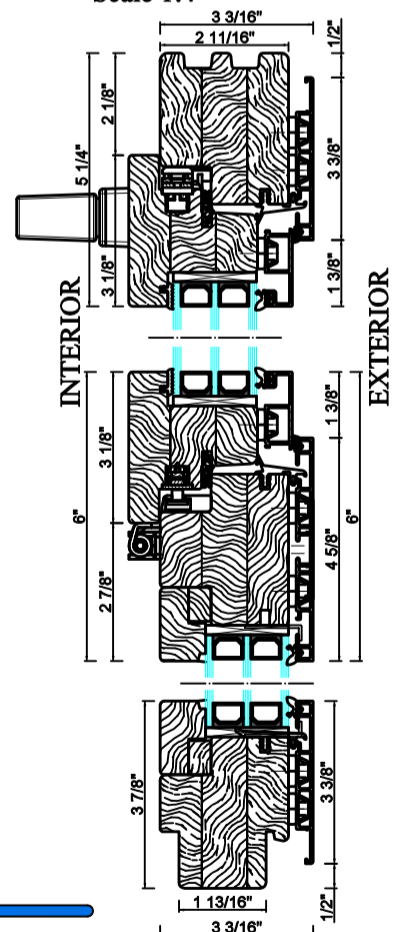


OUTSIDE VIEW



Vertical cross section B-B

Scale 1:4



Windows type: *FIX + Tilt*

Horizontal cross section A-A

Scale 1:4

