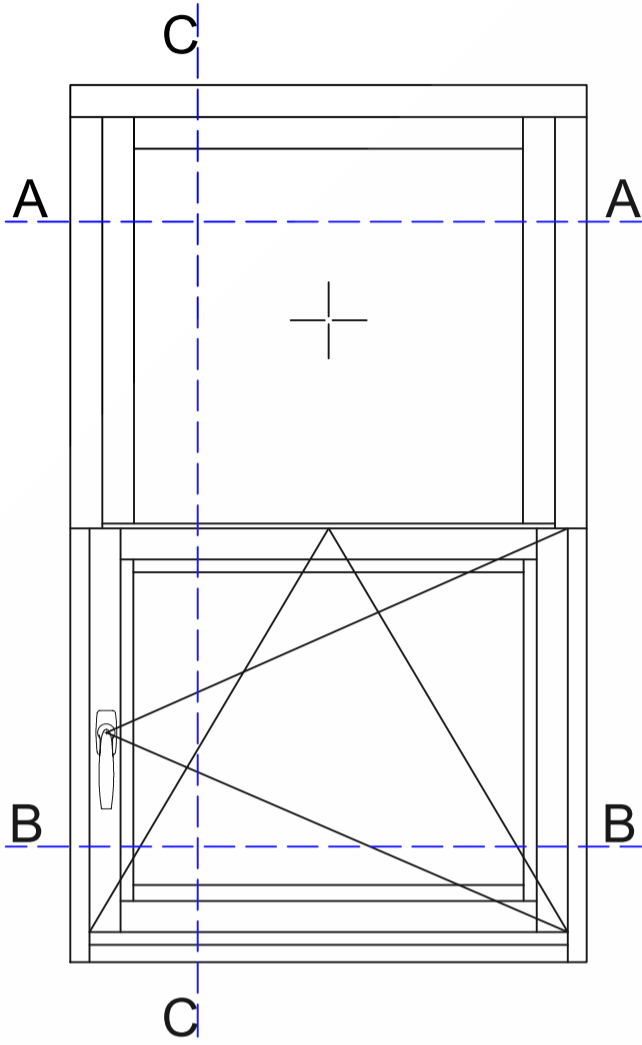
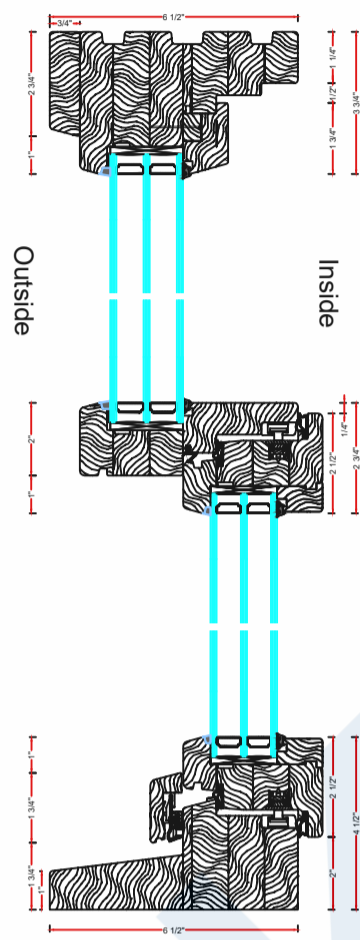


OUTSIDE VIEW



Vertical cross section C-C

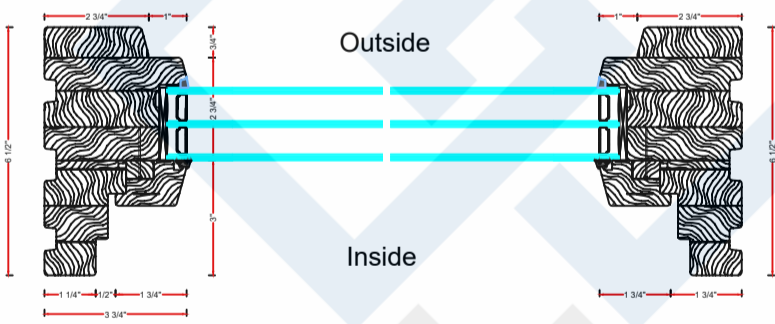
Scale 1:5



Windows type:
Tilt&Turn+FIX

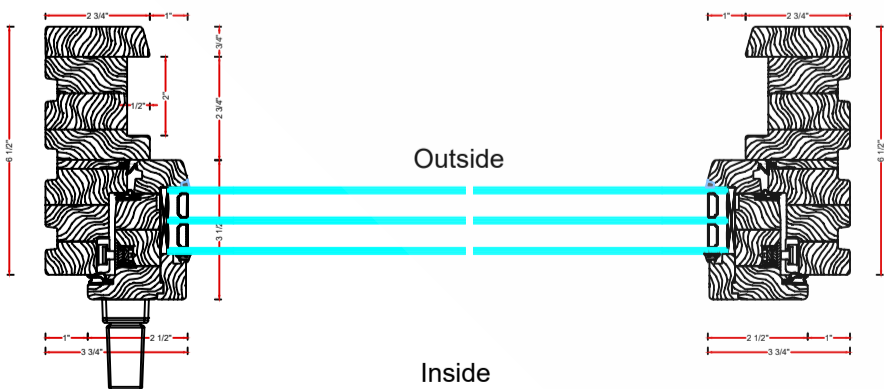
Horizontal cross section A-A

Scale 1:5

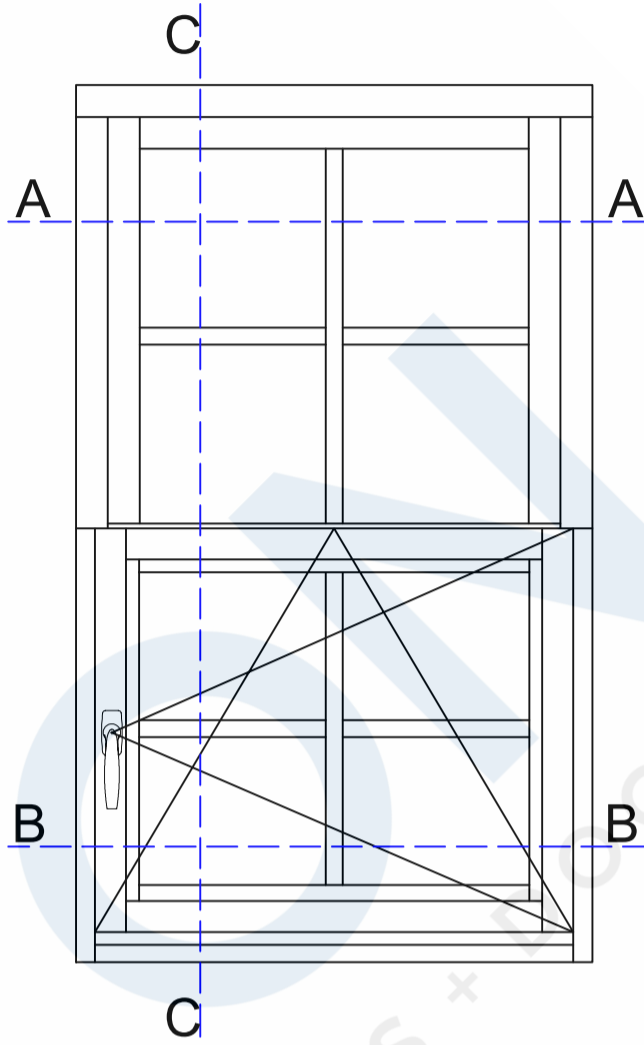


Horizontal cross section B-B

Scale 1:5

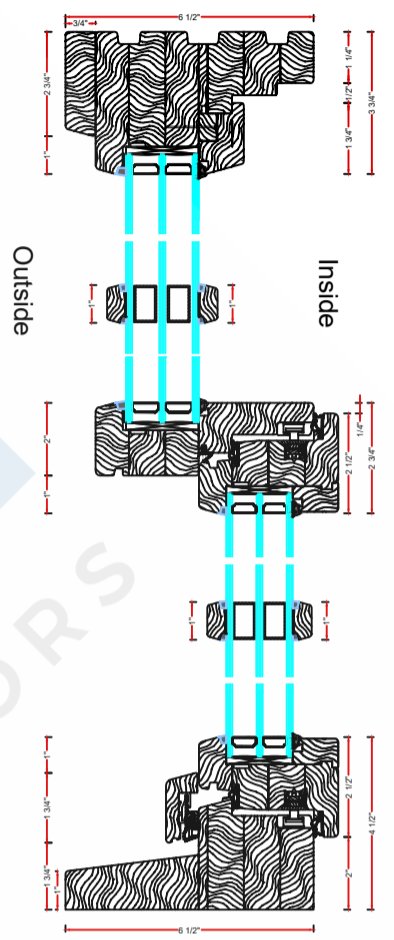


OUTSIDE VIEW



Vertical cross section C-C

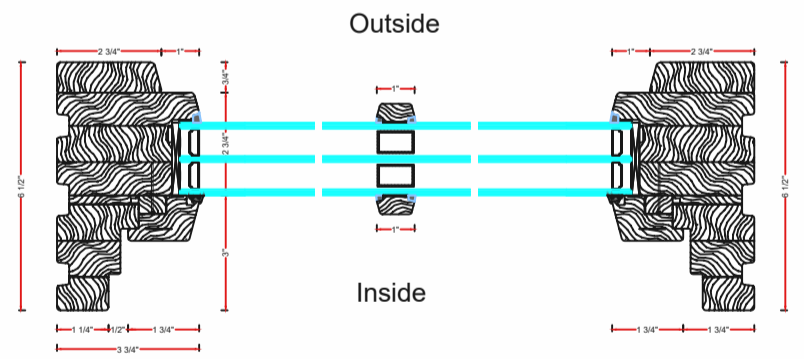
Scale 1:5



Windows type:
Tilt&Turn+FIX

Horizontal cross section A-A

Scale 1:5



Horizontal cross section B-B

Scale 1:5

